

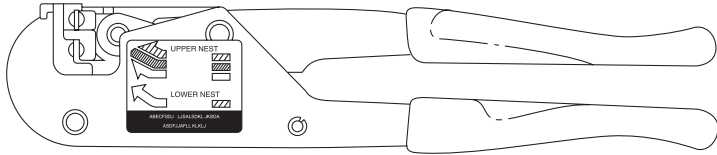
# Sta-Kon®

## Application Tools



### Ratchet Hand Tools

Cat. No.	Description
WT145A	RA, RAX, RB, RBC, RC, RAA, RBB, RBC, RCC nylon terminal

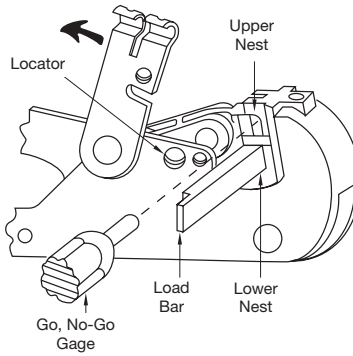


WT145A

Installs RA, RB, RBC, RC nylon terminals.

Correct compression every time—the Shure-Stake® mechanism prevents opening of the handles until full staking action is completed. Installs self-insulated and non-insulated Sta-Kon® terminal series in the #26-10 AWG wire range.

With the “Lower” gage (683-G-398) placed into the rectangular side of the lower nest, the force required to release the Shure-Stake® mechanism should be 10-40 lbs.



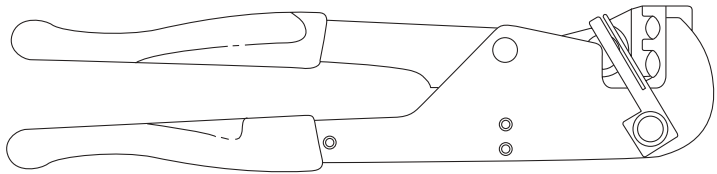
WT145A

Nest	Gaging Min.-Max.
Upper	.097 – .106
Lower	.121 – .128



### Ratchet Hand Tools

Cat. No.	Description
WT145C	RA, RB, RC, RAA, RBB, RCC, RBC nylon and vinyl terminals, splices and disconnects

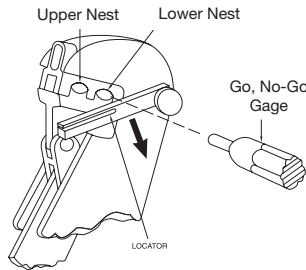


WT145C

Correct compression every time—the Shure-Stake® mechanism principle prevents opening of the handles until full staking action is completed. Installs self-insulated and non-insulated Sta-Kon® terminal series in the #26-10 AWG wire range.

Installs RA, RB, RC nylon terminals, disconnects, splices and RA, RB, RC vinyl terminals, disconnects, splices.

The force required to release the Shure-Stake® mechanism should be 10 lbs. minimum.



WT145C

Nest	Gaging Min.-Max.
Upper	.118 – .122
Lower	.169 – .173