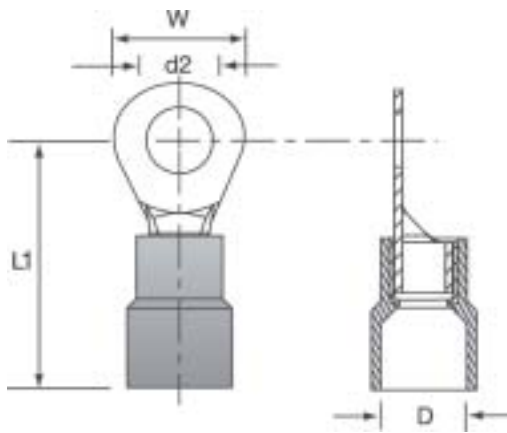


## Nylon Insulated Ring Terminals DIN 46237



### Technical Information

Material	Copper
Plating	Tin plated
Marking	Wire size and bolt size stamped on the tongue
Metal barrel	Brazed seam to prevent barrel separation
Insulation	PA = Polyamide Ideal for harsh environments, provides excellent chemical, impact and abrasion resistance
Temperature resistance	+85°C / +105°C
Color coding of the insulation	According to the wire size



### Ordering Information

Cat. No.	Wire Size	Color	Stud Hole Size d2	Dimensions			Wt. (g/100)	Qty. (pieces)	Crimping Tool
	Range (mm <sup>2</sup> )			W (mm)	L1 (mm)	D (mm)			
TRA3	0.5 - 1.5	Red	M3	5.5	17.5	4.0	70	100	
TRA35	0.5 - 1.5	Red	M3.5	6.6	20.4	4.0	67	100	
TRA4	0.5 - 1.5	Red	M4	8.0	21.8	4.0	76	100	
TRA5	0.5 - 1.5	Red	M5	8.0	21.8	4.0	79	100	
TRA6	0.5 - 1.5	Red	M6	11.6	27.5	4.0	108	100	
TRA8	0.5 - 1.5	Red	M8	11.6	27.5	4.0	134	100	
TRB3	1.5 - 2.5	Blue	M3	6.0	20.6	4.5	79	100	
TRB35	1.5 - 2.5	Blue	M3.5	8.5	23.0	4.5	76	100	
TRB4	1.5 - 2.5	Blue	M4	8.5	23.0	4.5	79	100	
TRB5	1.5 - 2.5	Blue	M5	9.5	22.9	4.5	89	100	
TRB6	1.5 - 2.5	Blue	M6	12.0	28.0	4.5	117	100	
TRB8	1.5 - 2.5	Blue	M8	12.0	28.0	4.5	148	100	
TRB10	1.5 - 2.5	Blue	M10	13.6	31.7	4.5	204	100	
TRC4-EU	4.0 - 6.0	Yellow	M4	7.4	26.7	6.4	158	100	
TRC5-EU	4.0 - 6.0	Yellow	M5	9.5	26.7	6.4	175	100	
TRC6-EU	4.0 - 6.0	Yellow	M6	12.0	32.7	6.4	187	100	
TRC8	4.0 - 6.0	Yellow	M8	15.0	34.9	6.4	230	100	
TRC10	4.0 - 6.0	Yellow	M10	15.0	34.9	6.4	296	100	

ERG2001A  
WT2124Y