

FS/FD Mount Weatherproof Covers

For strap mount and flanged devices in FD box and panel mount applications



Available in gray,
black or yellow

Features & Benefits

- Vertical self-closing lid constructed of glass-filled thermoplastic provides ultimate impact resistance for use in abusive environments
- Includes provision for 2 padlocks for OSHA compliant lockout/tagout
- Molded-in label area on cover allows for circuit or ratings identification
- Pre-assembled gasket provides an easier installation and tighter seal from harsh elements
- Stainless steel mounting screws and springs offer added corrosion resistance
- NEMA Type 3R and IP64 ratings with cover closed ensure protection for indoor and outdoor use
- Covers may be held open with a Hex Key or pin to ease installation

Common Applications

- Portable Generators
- Shipyards & Marinas
- Power Distribution Boxes
- Construction Sites
- Carnivals & Fairs

Key Features



Provisions for lockout/tagout for OSHA compliance



Convenient space for circuit id label



Pre-mounted flange gasket speeds installation*



Stay open feature makes installation simple

7420

Fits 20A & 30A strap mount single locking receptacles



WP1

Fits 15A locking flanged inlets & outlets and 15A/20A straight blade flanged inlets & outlets



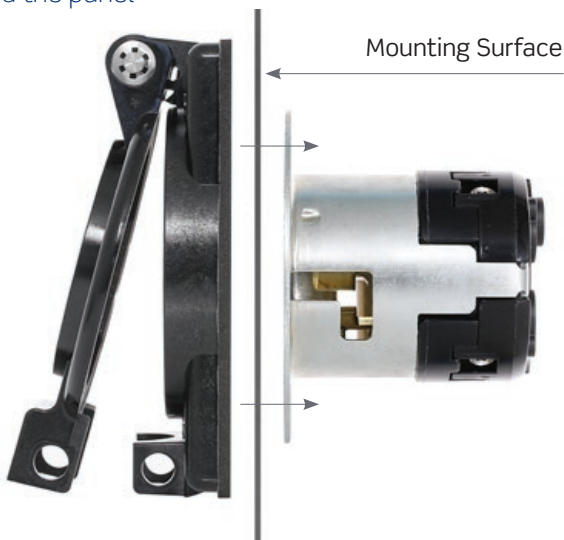
WP2

Fits 20A/30A locking flanged inlets & outlets, and 30A/50A power receptacles



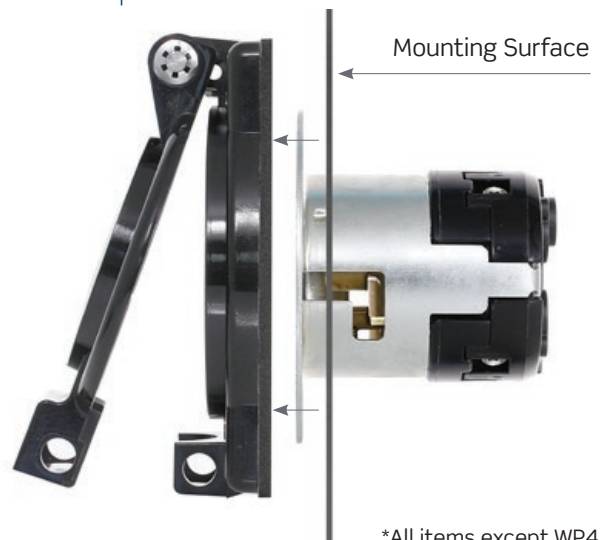
WP3

Fits 50A non-NEMA flanged inlets & outlets for applications where mounting of the device is behind the panel



WP4

Fits 50A non-NEMA flanged inlets & outlets for applications where mounting of the device is in front of the panel



*All items except WP4

Ordering Information

Description	Color	Diameter Opening	Cat No
For 20 amp or 30 amp strap-mount single flush mount receptacle	Yellow	1.60"	7420-YL
	Gray		7420-G
	Black		7420-EB
For 3-wire 15 amp and 20 amp straight blade or 15 amp locking flanged outlets or inlets	Yellow	1.72"	WP1-YL
	Gray		WP1-G
	Black		WP1-EB
For 3-, 4- or 5-wire 20 amp or 30 amp locking flanged inlets or outlets	Yellow	2.25"	WP2-YL
	Gray		WP2-G
	Black		WP2-EB
For 50 amp flanged inlets and outlets mounted from behind the panel with 2.6" panel cutout	Yellow	3"	WP3-YL
	Gray		WP3-G
	Black		WP3-EB
For 50 amp flanged inlets and outlets mounted from in front of the panel with 2.6" panel cutout	Yellow	2.6"	WP4-YL
	Gray		WP4-G
	Black		WP4-EB

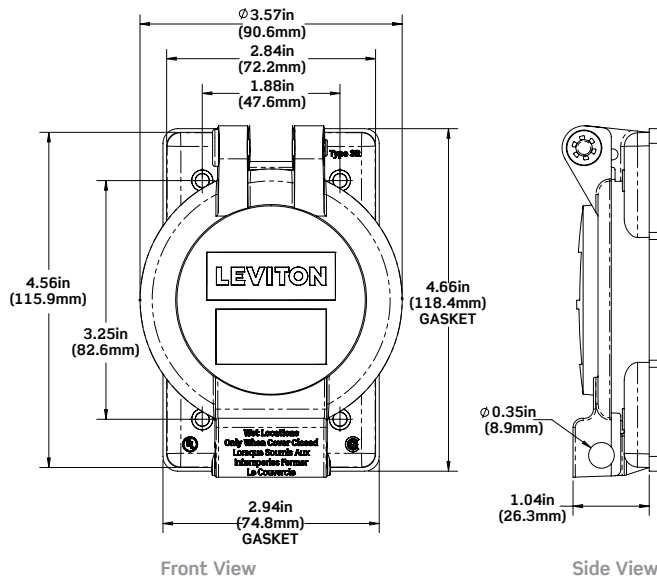
Specifications

Description	WP1, WP2, WP3, 7420-CR	WP4
Material Specifications		
Cover Plate	Glass-Filled Thermoplastic	
Mounting Screws & Springs	Stainless Steel	
Standards & Certifications		
UL Standard	UL514C & UL514D	UL498
CSA	C22.2 No. 18.1 and/or 42.1	
NEMA	Type 3R	
RoHS	Compliant	
IP Rating	IP64	
Guarantees		
Product Warranty	10 Year Limited	

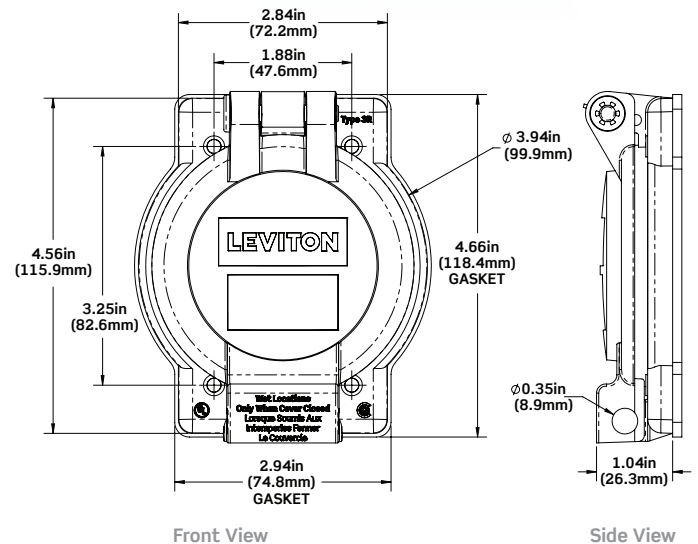


Dimensions

WP1, WP2, WP3, 7420



WP4



Also Available

For use with 50A single locking receptacles



Ordering Information

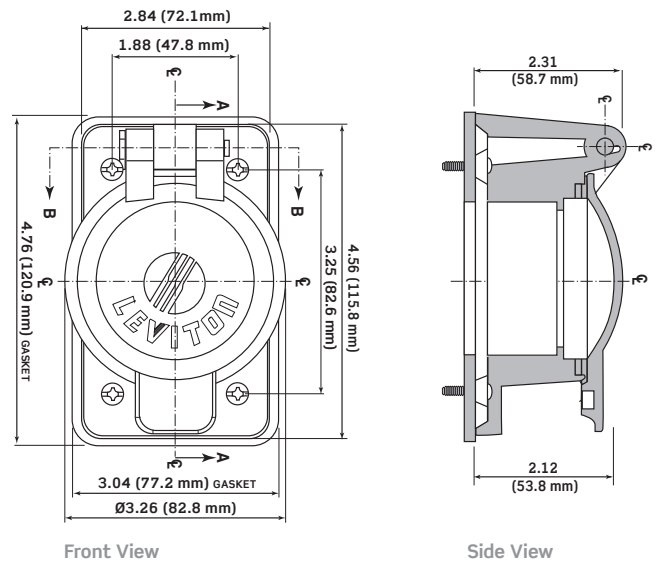
Description	Color	Diameter Opening	Cat No
1-Gang device cover for 50A locking receptacles	Yellow Thermoplastic	2.15"	7788-CR
	Gray Aluminum		7770

Specifications

Description	7770	7788-CR
Material Specifications		
Cover Plate	Powder Coat Cast Aluminum	Glass-Filled Thermoplastic
Mounting Screws & Springs	Stainless Steel	
Standards & Certifications		
UL Standard	UL514C & UL514D	
CSA	C22.2 No. 18.1 and/or 42.1	
NEMA	Type 3R	
RoHS	Compliant	
IP Rating	IP64	
Guarantees		
Product Warranty	10 Year Limited	

Dimensions

7770 & 7788-CR



Visit our Website at:
www.leviton.com/industrial
 email: industrial@leviton.com

Q-936A

Leviton Manufacturing Co., Inc.

201 N Service Rd, Melville, NY 11747
 Telephone: 1-800-323-8920 • FAX: 1-800-832-9538
 Tech Line (8:30AM-7:30PM E.S.T. Monday-Friday): 1-800-824-3005

© 2017 Leviton Manufacturing Co., Inc. All rights reserved.

040717

