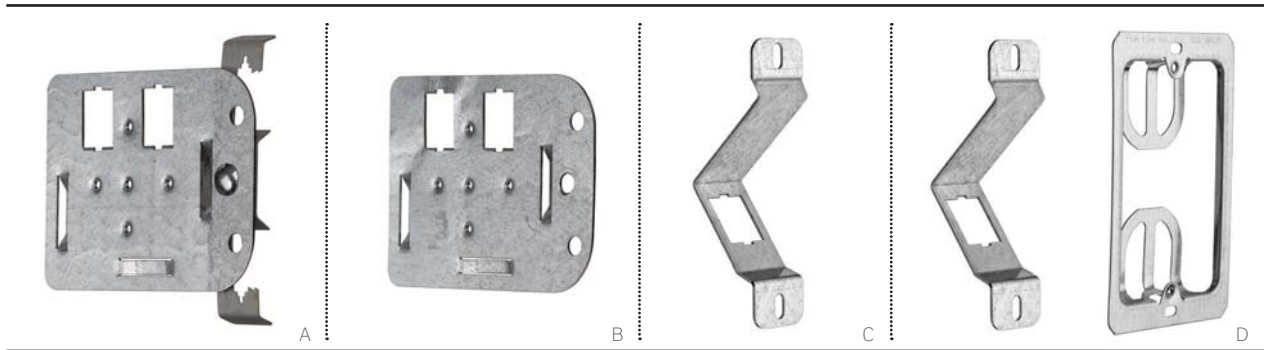


# HOUSINGS & WALLPLATES | QuickPort® In-Ceiling & In-Wall Brackets



## IN-CEILING BRACKET

- Helps create a testable permanent link for cabling that terminates above a drop ceiling without using a traditional wallplate
- Brackets available individually or with pre-installed multi-function clip that attaches to standard drop wire or rod
- VELCRO® Brand tie-down points accommodate cabling slack loops (sold separately, see page E10)
- Plenum-rated QuickPort one-, two-, and four-port surface-mount boxes (sold separately) attach to brackets and are ideal for use in drop ceiling areas

## IN-WALL BRACKET

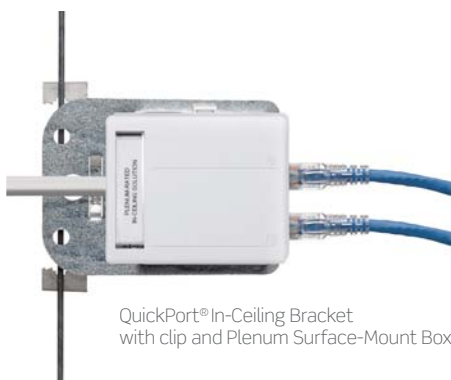
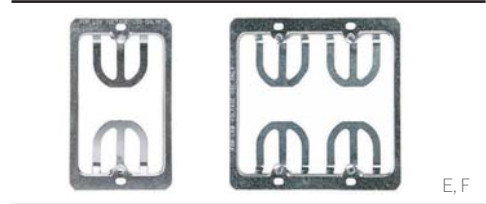
- Helps create a testable permanent link for cabling that terminates in the wall without using a traditional wallplate
- Provides a stable mounting surface for connectors that is recessed behind the wall surface
- Ideal for supporting Ethernet-enabled devices — such as wireless access points (WAPs), cameras, or clocks — that mount to electrical or low-voltage boxes or directly to the wall
- Available as a set of five brackets, or individually kitted with a single-gang wallplate mounting bracket

### QUICKPORT IN-WALL & IN-CEILING BRACKETS

DESCRIPTION	PART NO.
[A] QuickPort In-Ceiling Bracket, includes clip for drop wire/rod mounting	49223-CBC
[B] QuickPort In-Ceiling Bracket, no clip	49223-CB0
[C] QuickPort In-Wall Brackets (set of 5)	49223-BA5
[D] QuickPort In-Wall Bracket Kit, includes bracket and single-gang Wallplate Mounting Bracket	49223-BAK

### WALLPLATE ACCESSORIES

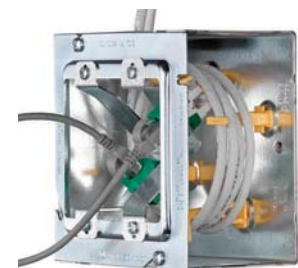
DESCRIPTION	PART NO.
[E] Wallplate Mounting Brackets, single-gang, bag of 2	C0224-000
Wallplate Mounting Bracket, single-gang, bag of 10	C0224-0CP
[F] Wallplate Mounting Bracket, dual-gang	C0225-000



QuickPort® In-Ceiling Bracket with clip and Plenum Surface-Mount Box



QuickPort In-Ceiling Bracket loaded with Atlas-X1™ Cat 6A QuickPort Connectors



Two In-Wall Brackets