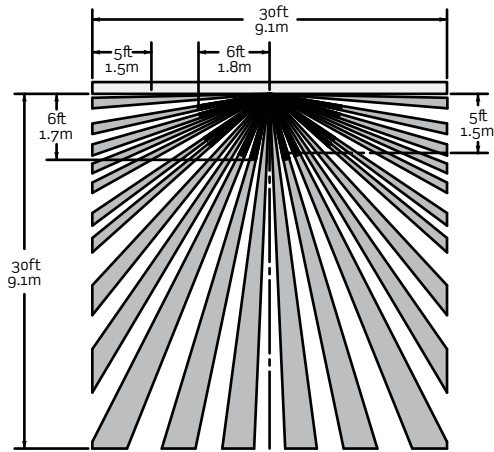


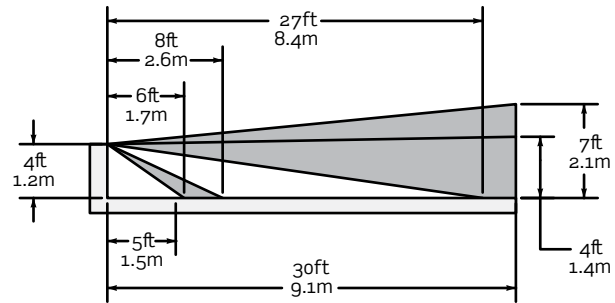
SENSING CONTROL | Decora® Wall Switch Infrared | Decora® Humidity Sensors

Field of View for Decora® Residential Wall Switch Infrared Occupancy and Vacancy Sensors

Field-of-View (Horizontal in feet)



Field-of-View (Side, Vertical in feet)



Decora® Residential Grade Wall Switch Humidity Sensor and Fan Control

Features and Benefits

- Replaces a single pole switch for control of a ventilation fan or a fan/light combination
- Automatically detects excess humidity and activates a ventilation fan
- Manual ON option to address immediate ventilation needs
- Neutral wire is required for operation
- Microprocessor control with digital sensing technology
- Meets energy code requirements for CALGREEN and CA Title 24 2013
- Air Cycle mode for continuous operation with hourly pre-set time outs
- Green LED functions as a status indicator
- Compatible with Incandescent, LED, CFL and Fluorescent lighting loads
- Use with existing or new ventilation fans up to 1/6 HP, 3A
- Compatible with Decora Plus™ screwless wallplates and Decora® wallplates

Decora® Residential Grade Wall Switch Humidity Sensor and Fan Control

Description	Cat. No.	Color	Rating
Humidity Sensor & Fan Control	IPHS5-1L	W, I, T	600W Incandescent. 150W LED/CFL. 400VA MLV/Fluorescent. 1/6 HP (3A) Fan



IPHS5-W

Color Change Kits for Sensors

Color Change Kits

Description	Cat. No.	Color
Color Change Kits for Sensors, No Fan Icon	IPDKT-00	W, I, T, E, B

Color

To order colors, add suffix to catalog number as follows: Z includes White (-W), Ivory (-I) and Light Almond (-T). Color Change Kits available in the following colors: White (-W), Ivory (-I), Light Almond (-T), Black (-E) and Brown (-B).