

“Smart” CFL Lampholders

Features and Benefits

- “Smart” CFL lampholders are color-coded for easy wattage identification
- Bottom snap-in versions for easier panel assembly available for 16 Ga. and 18-20 Ga. panels
- All 4-pin lampholders have internal rejection feature that prevents insertion of 2-pin lamps
- Metal-spring lamp-retainer clip provides positive lamp retention and is more durable than plastic clips
- Two wiring ports per contact speed harness wiring
- Wire routing options for top or bottom side of mounting panel for easier assembly
- Bodies are white thermoplastic (with color coding as indicated)
- Quick-connect push-in wiring terminals accept #18 AWG solid or twisted-and-overtinned leads, stripped $\frac{3}{8}$ inch

10mm Compact Fluorescent Lampholders with Round Bodies

For G24d Lamp Bases, 2-Pin

Rating	Color	Cat. No.	Lamp Base	Wattage
75W 600V	Black	26725-2A1	G24d-1	10W/13W
75W 600V	Green	26725-2A2	G24d-2	18W
75W 600V	Orange	26725-2A3	G24d-3	26W



26725-4A2

For G24d Lamp Bases, 2-Pin

Rating	Color	Special	Cat. No.	Lamp Base	Wattage
75W 600V	Black	—	26725-4A1	G24q-1	10W/13W
75W 600V	Green	—	26725-4A2	G24q-2	18W
	Green	—		GX24q-2	
75W 600V	Orange	—	26725-4A3	G24q-3	26W
	Orange	—		GX24q-3	
75W 600V	Yellow	—	26725-4A4	G24q-4	26W/32W
75W 600V	Blue	—	26725-4A5	G24q-5	42W
75W 600V	Red	—	26725-4A6	G24q-6	42W
75W 600V	White	—	26725-4A9	G24q-3	26W/32W/42W
	Body only	Universal		GX24q-4	



26725-4A3



26725-4A6

Twist-in Socket For G24q and GX24q Lamp Bases, 4-Pin

Rating	Color	Special	Cat. No.	Lamp Base	Wattage
120W 600V	White Body with Black	—	26800-4A1	G24q-1	13W
		—		GX24q-1	
120W 600V	White Body with Green	—	26800-4A2	G24q-2	18W
		—		GX24q-2	
120W 600V	White	—	26800-4A9	G24q-3	26W/32W/42W
	Body only	Universal		GX24q-4	
120W 600V	White Body with Purple	—	26800-4A8	GX24q-5	57W/70W
		Universal		GX24q-6	



26800

Continued on next page

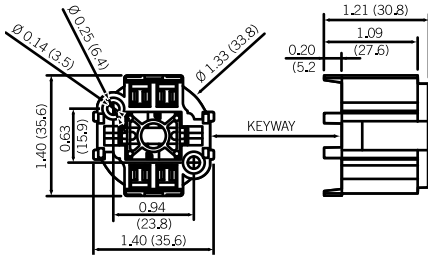
CFL | Smart CFL

Continued from previous page

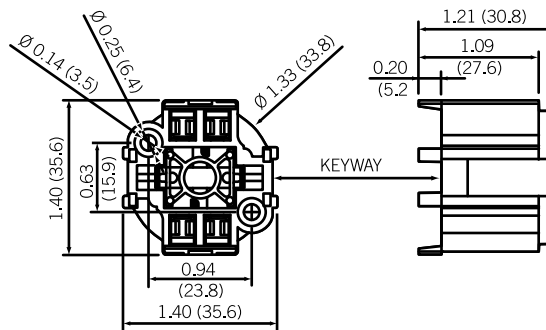
“Smart” CFL Lampholders

Dimensions for “Smart” Compact Fluorescent Lampholders

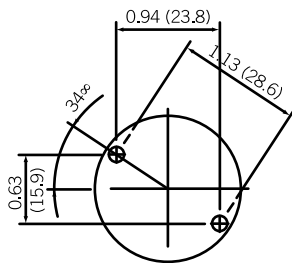
26725-4A5



All Round-Body CFLs
26725-4A5 Shown

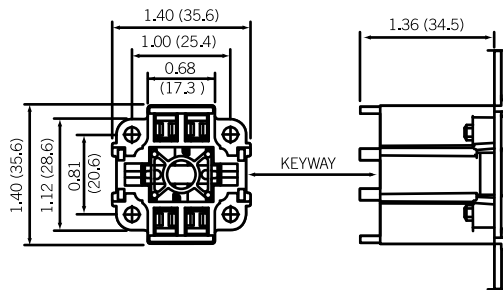


All Round-Body CFLs

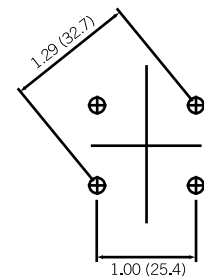


RECOMMENDED PANEL OPENING FOR ALL ROUND-BODY CFLs

4-Hole Bottom Screw-Down CFLs
26725-415 Shown

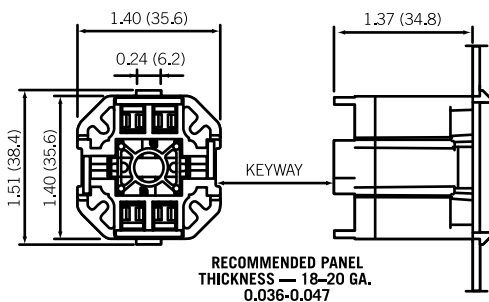


RECOMMENDED MOUNTING SCREW #8 SELF-CUTTING



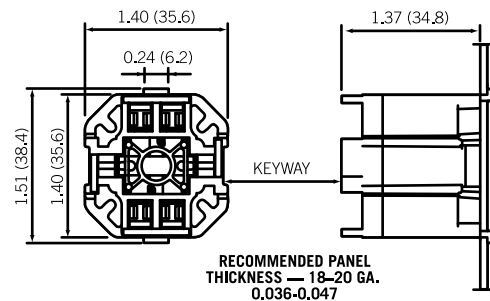
RECOMMENDED HOLE PATTERN

26725-426

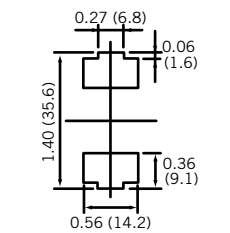


RECOMMENDED PANEL THICKNESS — 18–20 GA. 0.036-0.047

Bottom Snap-In CFLs for 18–20 Ga Panels
26725-426 Shown



RECOMMENDED PANEL THICKNESS — 18–20 GA. 0.036-0.047



RECOMMENDED PANEL OPENING

