

INTERNATIONAL RATED | 16A, 32A, 63A and 125A Splashproof

International-Rated Devices

Plugs, Connectors, Inlets & Receptacles

Leviton offers international-rated pin and sleeve devices in 16, 32, 63 and 125 Amps and are available in two different ingress protection ratings: IP44 splashproof and IP66/IP67 watertight and dust-tight. These IEC 60309-1 and 60309-2 compliant devices are ideal for use overseas where voltage and amperage requirements differ from North American standards, but where rigorous performance, quality and reliability criteria need to be met.

Features and Benefits

- Rockwell Automation Encompass™ Product Partner
- Classified to IEC Standards 60309-1 and 60309-2
- CE Marking per low-voltage directives 73/23/EEC, 93/68/EEC

Splashproof (IP44) Devices



Plug

Connector

Panel Mounting Socket Outlet

Surface Mounting Socket Outlet

Panel Mounting Inlet

Back Box

Splashproof (IP44) International Rated Devices

Amps	Poles	Hz	Volts	Connector/Outlet Config. and Clock Position	Plug/Inlet Config.	Plug	Connector	Panel Mounting Socket Outlet	Surface Mounting Socket Outlet	Panel Mounting Inlet	Back Box
16	2P+E (2P, 3W)	50/60Hz	100V-130V	4		S216-P4	S216-C4	S216-R4	S216-S4	S216-B4	BB16-A
			200V-250V	6		S216-P6	S216-C6	S216-R6	S216-S6	S216-B6	BB16-A
			380V-415V	9		S216-P9	S216-C9	S216-R9	S216-S9	S216-B9	BB16-A
	3P+E (3P, 4W)	50/60Hz	200V-250V	9		S316-P9	S316-C9	S316-R9	S316-S9	S316-B9	BB16-A
			380V-415V	6		S316-P6	S316-C6	S316-R6	S316-S6	S316-B6	BB16-A
			60Hz	440V-460V	11		S316-P11	S316-C11	S316-R11	S316-S11	S316-B11
	3P+N+E (4P, 5W)	50/60Hz	208V-250V	9		S416-P9	S416-C9	S416-R9	S416-S9	S416-B9	BB16-A
			346V-415V	6		S416-P6	S416-C6	S416-R6	S416-S6	S416-B6	BB16-A
			60Hz	440V-460V	11		S416-P11	S416-C11	S416-R11	S416-S11	S416-B11

Continued on next page

INTERNATIONAL RATED | 16A, 32A, 63A and 125A Splashproof

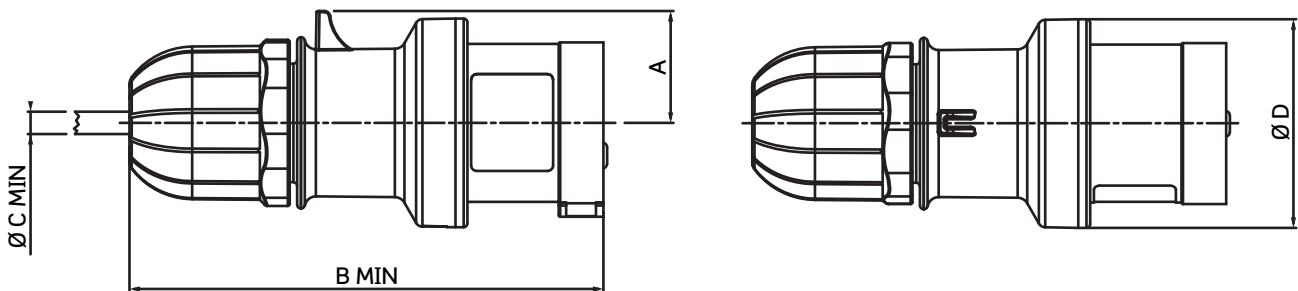
Continued from previous page

Splashproof (IP44) Devices

Splashproof (IP44) International Rated Devices											
Amps	Poles	Hz	Volts	Connector/ Outlet Config. and Clock Position	Plug/ Inlet Config.	Plug	Connector	Panel Mounting Socket Outlet	Surface Mounting Socket Outlet	Panel Mounting Inlet	Back Box
32	2P+E (2P, 3W)	50/60Hz	100V-130V	4		S232-P4	S232-C4	S232-R4	S232-S4	S232-B4	BB32-A
			200V-250V	6		S232-P6	S232-C6	S232-R6	S232-S6	S232-B6	BB32-A
			380V-415V	9		S232-P9	S232-C9	S232-R9	S232-S9	S232-B9	BB32-A
	3P+E (3P, 4W)	50/60Hz	200V-250V	9		S332-P9	S332-C9	S332-R9	S332-S9	S332-B9	BB32-A
			380V-415V	6		S332-P6	S332-C6	S332-R6	S332-S6	S332-B6	BB32-A
			60Hz	440V-460V	11		S332-P11	S332-C11	S332-R11	S332-S11	S332-B11
	3P+N+E (4P, 5W)	50/60Hz	208V-250V	9		S432-P9	S432-C9	S432-R9	S432-S9	S432-B9	BB32-A
			346V-415V	6		S432-P6	S432-C6	S432-R6	S432-S6	S432-B6	BB32-A
			60Hz	440V-460V	11		S432-P11	S432-C11	S432-R11	S432-S11	S432-B11

Dimensions for Splashproof EN/IEC 60309 Industrial Plugs & Sockets

Plugs — Splashproof (IP44)



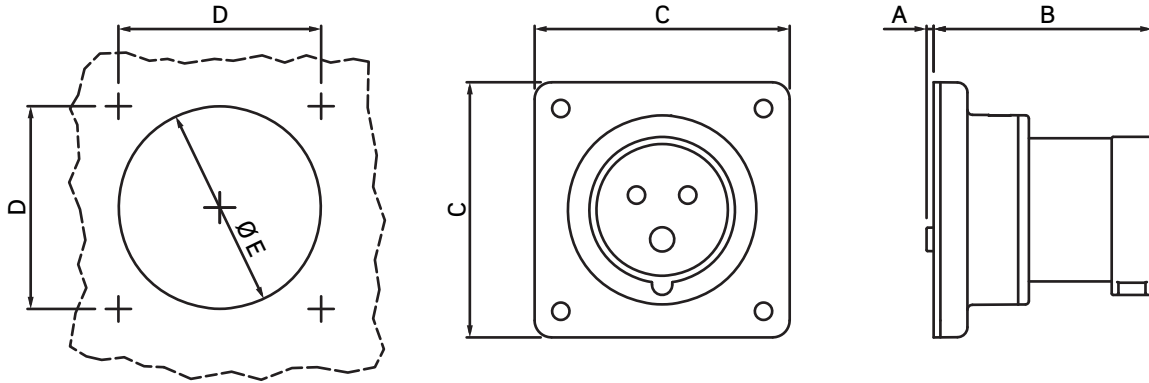
Amps	Poles	A mm(in)	B Min mm(in)	Ø C Min mm(in)	Ø D mm(in)
16A	2P+E (2P, 3W)	30(1.2)	128(5.0)	6(2)	56(2.2)
	3P+E (3P, 4W)	34(1.3)	135(5.3)	6(2)	60(2.4)
	3P+N+E (4P, 5W)	38(1.5)	153(6.0)	9(3)	65(2.6)
32A	2P+E (2P, 3W)	40(1.6)	162(6.4)	9(3)	65(2.6)
	3P+E (3P, 4W)	40(1.6)	162(6.4)	9(3)	65(2.6)
	3P+N+E (4P, 5W)	45(1.8)	176(6.9)	13(5)	73(2.9)

INTERNATIONAL RATED | 16A, 32A, 63A and 125A Splashproof

Continued from previous page

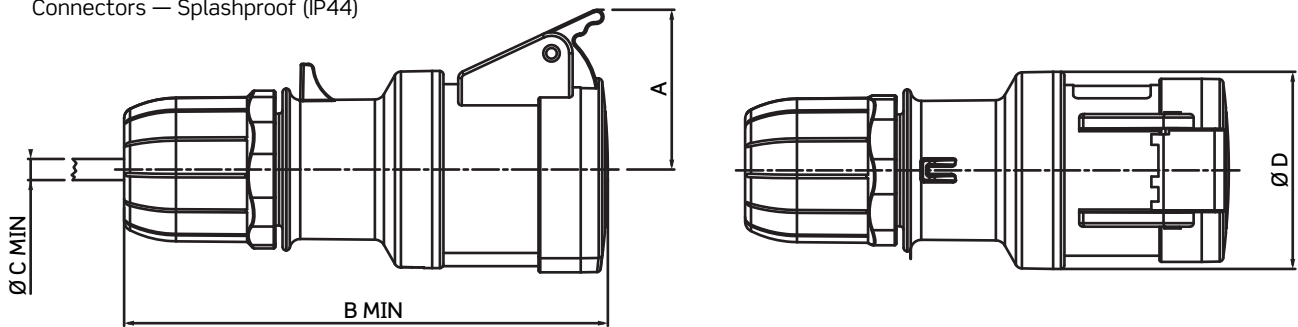
Dimensions for Splashproof EN/IEC 60309 Industrial Plugs & Sockets

Panel Mounting Inlets — Splashproof (IP44)



Amps	Poles	A mm(in)	B mm(in)	C mm(in)	D mm(in)	$\varnothing E$ mm(in)
16A	2P+E (2P, 3W)	2(0.1)	65(2.6)	75(2.9)	60(2.4)	60(2.4)
	3P+E (3P, 4W)					
	3P+N+E (4P, 5W)					
32A	2P+E (2P, 3W)	19(0.7)	73(2.9)	75(2.9)	60(2.4)	60(2.4)
	3P+E (3P, 4W)					
	3P+N+E (4P, 5W)					

Connectors — Splashproof (IP44)



Amps	Poles	A mm(in)	B mm(in)	$\varnothing C$ mm(in)	$\varnothing D$ mm(in)
16A	2P+E (2P, 3W)	46(1.8)	138(5.4)	6(.2)	56(2.2)
	3P+E (3P, 4W)	49(1.9)	145(5.7)	6(.2)	60(2.4)
	3P+N+E (4P, 5W)	54(2.1)	165(6.5)	9(.3)	65(2.6)
32A	2P+E (2P, 3W)	54(2.1)	175(6.9)	9(.3)	65(2.6)
	3P+E (3P, 4W)	54(2.1)	175(6.9)	9(.3)	65(2.6)
	3P+N+E (4P, 5W)	59(2.3)	190(7.5)	13(.5)	73(2.9)

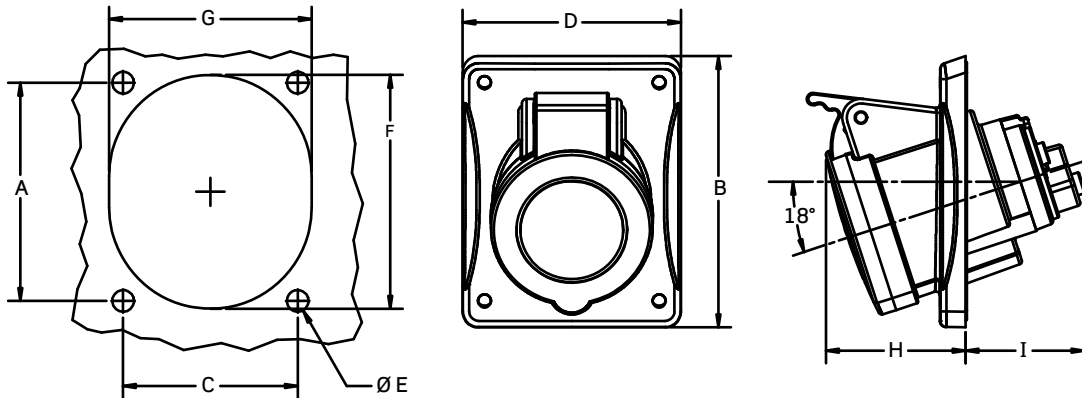
Continued on next page

INTERNATIONAL RATED | 16A, 32A, 63A and 125A Splashproof

Continued from previous page

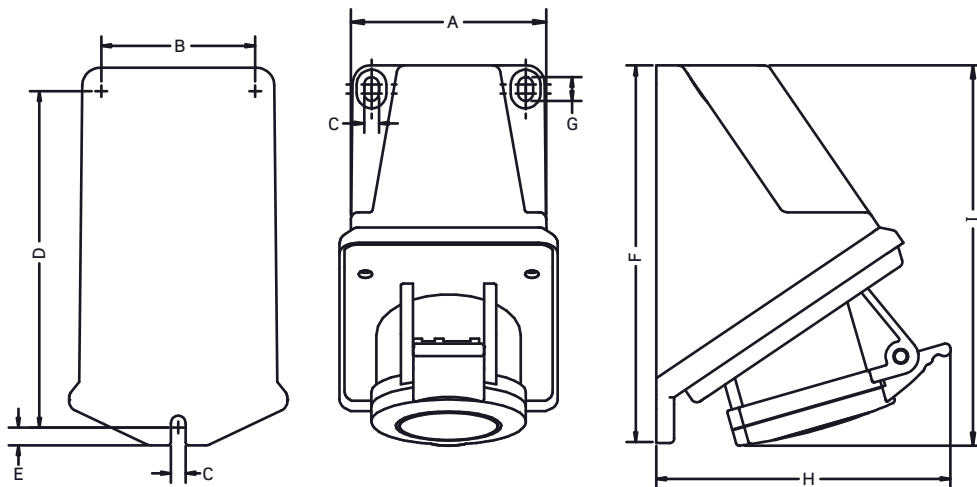
Dimensions for Splashproof EN/IEC 60309 Industrial Plugs & Sockets

Panel Mounting Socket Outlets — Splashproof (IP44)



Amps	Poles	A mm(in)	B mm(in)	C mm(in)	D mm(in)	Ø E mm(in)	F mm(in)	G mm(in)	H mm(in)	I mm(in)
16A	2P+E (2P, 3W)	70(2.7)	87(3.4)	56(2.2)	70(2.7)	6(2)	73(2.9)	65(2.6)	45(1.8)	40(1.6)
	3P+E (3P, 4W)								46(1.8)	40(1.6)
	3P+N+E (4P, 5W)								48(1.8)	41(1.6)
32A	2P+E (2P, 3W)	90(3.5)	106(4.2)	68(2.7)	84(3.3)	6(2)	87(3.4)	76(3.0)	52(2.1)	60(2.4)
	3P+E (3P, 4W)								52(2.1)	60(2.4)
	3P+N+E (4P, 5W)								54(2.1)	61(2.4)

Surface Mounting Socket Outlets — Splashproof (IP44)



Amps	Poles	A mm(in)	B mm(in)	C mm(in)	D mm(in)	E mm(in)	F mm(in)	G mm(in)	H mm(in)	I mm(in)
16A	2P+E (2P, 3W)	65(2.6)	52(2.0)	5(0.2)	112(4.4)	7.5(0.3)	127(5.0)	8(0.3)	99(3.9)	128(5.0)
	3P+E (3P, 4W)								102(4.0)	131(5.2)
	3P+N+E (4P, 5W)								107(4.2)	133(5.2)
32A	2P+E (2P, 3W)	80(3.1)	66(2.6)	5(0.2)	121(4.8)	7.5(0.3)	137(5.4)	8(0.3)	116(4.6)	141(5.5)
	3P+E (3P, 4W)								116(4.6)	141(5.5)
	3P+N+E (4P, 5W)								120(4.7)	143(5.6)

INTERNATIONAL RATED | 16A, 32A, 63A and 125A Watertight

Watertight (IP66/67) Devices



Plug



Connector



Panel Mounting
Socket Outlet



Surface Mounting
Socket Outlet



Panel Mounting
Inlet



Back Box

Watertight (IP66/67) International Rated Devices

Amps	Poles	Hz	Volts	Connector/ Outlet Config. and Clock Position	Plug/ Inlet Config.	Plug	Connector	Panel Mounting Socket Outlet	Surface Mounting Socket Outlet	Panel Mounting Inlet	Back Box		
16	2P+E (2P, 3W)	50/60Hz	100V-130V	4		W216-P4	W216-C4	W216-R4	W216-S4	W216-B4	BB16-A		
		50/60Hz		6		W216-P6	W216-C6	W216-R6	W216-S6	W216-B6	BB16-A		
		50/60Hz		9		W216-P9	W216-C9	W216-R9	W216-S9	W216-B9	BB16-A		
	3P+E (3P, 4W)	50/60Hz		9		W316-P9	W316-C9	W316-R9	W316-S9	W316-B9	BB16-A		
		50/60Hz		6		W316-P6	W316-C6	W316-R6	W316-S6	W316-B6	BB16-A		
		60Hz		11		W316-P11	W316-C11	W316-R11	W316-S11	W316-B11	BB16-A		
	3P+N+E (4P, 5W)	50/60Hz		9		W416-P9	W416-C9	W416-R9	W416-S9	W416-B9	BB16-A		
		50/60Hz		6		W416-P6	W416-C6	W416-R6	W416-S6	W416-B6	BB16-A		
		60Hz		11		W416-P11	W416-C11	W416-R11	W416-S11	W416-B11	BB16-A		
	32	2P+E (2P, 3W)		50/60Hz	100V-130V	4		W232-P4	W232-C4	W232-R4	W232-S4	W232-B4	BB32-A
				50/60Hz		6		W232-P6	W232-C6	W232-R6	W232-S6	W232-B6	BB32-A
				50/60Hz		9		W232-P9	W232-C9	W232-R9	W232-S9	W232-B9	BB32-A
3P+E (3P, 4W)		50/60Hz	9			W332-P9	W332-C9	W332-R9	W332-S9	W332-B9	BB32-A		
		50/60Hz	6			W332-P6	W332-C6	W332-R6	W332-S6	W332-B6	BB32-A		
		60Hz	11			W332-P11	W332-C11	W332-R11	W332-S11	W332-B11	BB32-A		
3P+N+E (4P, 5W)		50/60Hz	9			W432-P9	W432-C9	W432-R9	W432-S9	W432-B9	BB32-A		
		50/60Hz	6			W432-P6	W432-C6	W432-R6	W432-S6	W432-B6	BB32-A		
		60Hz	11			W432-P11	W432-C11	W432-R11	W432-S11	W432-B11	BB32-A		

Continued on next page