





15 AMP Plugs, Angle Plugs, Armored Plugs and Connectors

15 AMP 125V 2-Pole 3-Wire Grounding

DESCRIPTION	CAT. NO.	COLOR	CORD DIA. (inches)	WIRE GAUGE (stranded)	NEMA CONFIG.
PVC Grounding Plug	515PV	Yellow			
Armored Grounding Plug	515PA	Yellow Steel Armor			
Rubber Grounding Plug	515PR	Black			
PVC Angle Grounding Plug	515AN	White	.245 – .655	No. 18-3 through No. 12-3 cords	 NEMA 5-15P
PVC Grounding Connector	515CV	Yellow			
Armored Grounding Connector	515CA	Yellow Steel Armor			 NEMA 5-15R
Rubber Grounding Connector	515CR	Black			
Motor Base Inlet	5239	Black		No. 10 Max. copper or copper clad	

15 AMP 250V 2-Pole 3-Wire Grounding

DESCRIPTION	CAT. NO.	COLOR	CORD DIA. (inches)	WIRE GAUGE (stranded)	NEMA CONFIG.
PVC Grounding Plug	615PV	Yellow			
Armored Grounding Plug	615PA	Yellow Steel Armor			
Armored Grounding Connector	615CA	Yellow Steel Armor	.245 – .655	No. 18-3 through No. 12-3 cords	 NEMA 6-15P
Rubber Grounding Connector	615CR	Black			
Rubber Back Grounding Plug	615PR	Black			 NEMA 6-15R
Motor Base Inlet	5240	Black		No. 10 Max. copper or copper clad	

All devices are UL Listed and CSA Certified.



515PV



515CV

SPECIFICATIONS & FEATURES

- Triple-drive head screws — Standard, Philips, Robertson
- NEMA configuration number & rating molded on face of device for easy identification
- Rubber body is dirt and moisture resistant
- Deep-slotted, backed out terminal screws draw backwire clamps securely for maximum conductivity
- Husk & module keyed for easy alignment during wiring
- Built-in cord grip adjusts automatically for use with No. 18-3 through No. 12-3 cords

PVC Plugs & Connectors

- Rugged PVC body resists moisture and chemicals; suited for outdoor cords
- Unique dimpled body design provides a secure grip
- Speed-thread assembly screws tighten with just a few quick turns

Armored Plugs & Connectors

- Ideal for shops, garages and rough-duty work with hard floors
- Two piece strain-relief clamp center cord for neat installation

Rubber-Back Plugs & Connectors

- Designed to stand up to rough use
- No internal metal parts exposed
- Elastomeric husk provides added protection against dirt and moisture entry into the back wire port
- Designed to operate in the widest possible temperature range

Tru-Link™ Connector

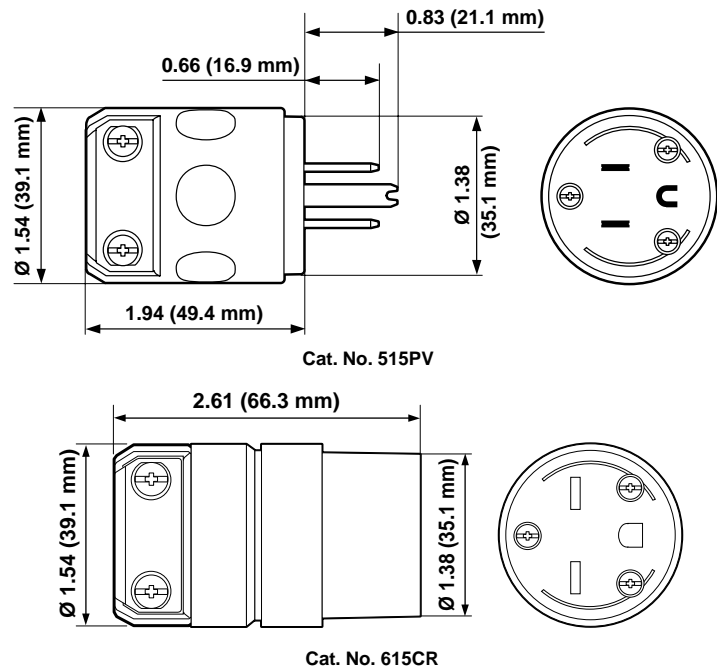
- Locking mechanism automatically secures straight blade plug
- Easy-release tabs disconnect plug

TESTING & CODE COMPLIANCE

- Meet NEMA requirements
- UL Listed (File #E-13393)
- CSA Certified (File #LR-406)
- NOM Certified (#057)
- Backed by a Limited 10-Year Warranty

MATERIAL CHARACTERISTICS

Environmental: Flammability, Rated V2 per UL 94
Operating Temperature: -40°C to 65°C.



Cat. No. 515PV

Cat. No. 615CR