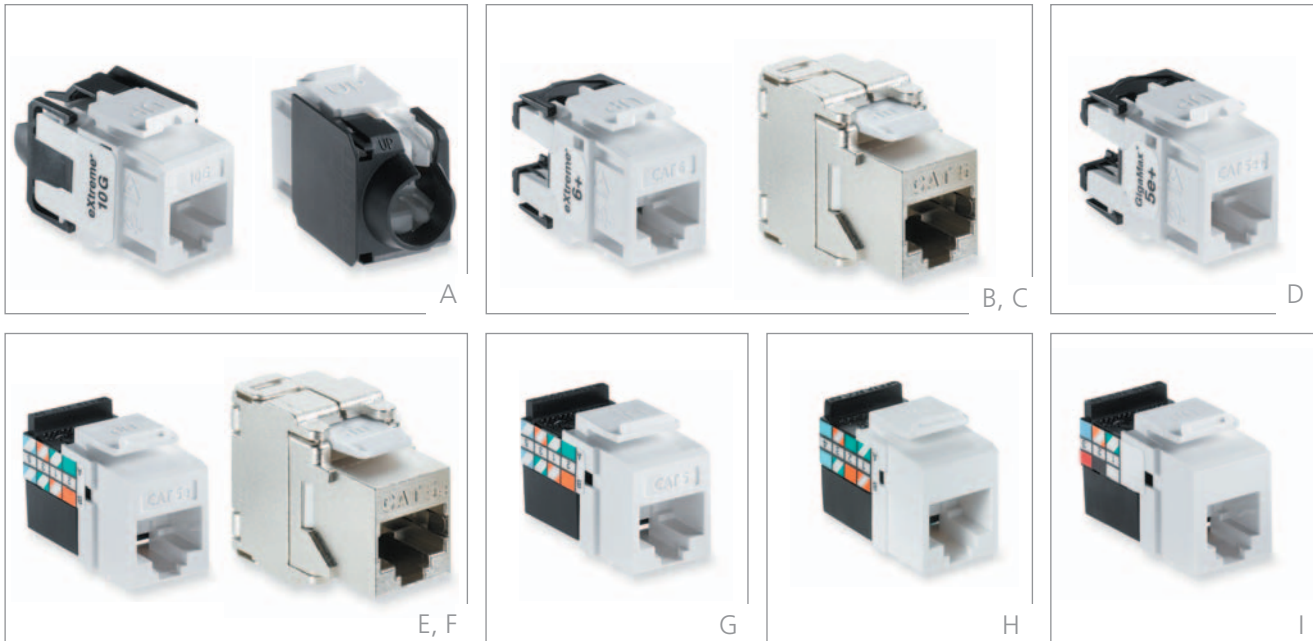


QUICKPORT® UTP & STP COPPER CONNECTORS



eXtreme 6+ and GigaMax 5e/5e+ QuickPacks (25 connectors in resealable, tamper proof bags that save time and reduce waste on large installations).



Use a Leviton Field-Termination Coaster to quickly and easily punch down Leviton Voice & Data connectors. For more information call Sales Support at 1-800-922-6229.

QUICKPORT CONNECTORS FOR UTP & STP COPPER CABLE

[A-I] Leviton offers a wide variety of copper connectors from CAT 6A (10G) to CAT 3 solutions. CAT 6A eXtreme® 10G, our highest performance connector, featuring the Cone of Silence™ and Retention Force Technology® (RFT), resists alien crosstalk (AXT) between neighboring connectors, and offers unparalleled signal integrity. eXtreme 6+ and GigaMax® 5e+ component-rated connectors also feature patented RFT for long-term performance. Leviton's QuickPack™ features eXtreme 6+ and GigaMax 5e/5e+ connectors in resealable pack of 25.

GigaMax 5e channel-rated connectors, Category 5, and Category 3 connectors offer an economical solution for a variety of voice and data applications. USOC connectors are available in 6-, or 8-conductors for voice applications.

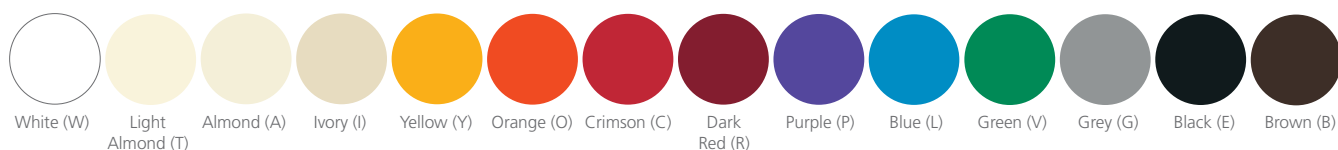
Shielded connectors are available in both GigaMax 5e and eXtreme 6+ lines. Featuring a robust die-cast housing, these connectors provide protection from electromagnetic interference (EMI/RFI) and offer increased data security.

All connectors feature standard QuickPort compatibility and universal color-coded wiring labels with T568A/T568B wiring patterns for flexibility and fast, accurate termination. Available in 14 colors. All category-rated connectors are fully compliant with published TIA-568-B requirements. All connectors exceed industry standards to ensure long-term network performance.

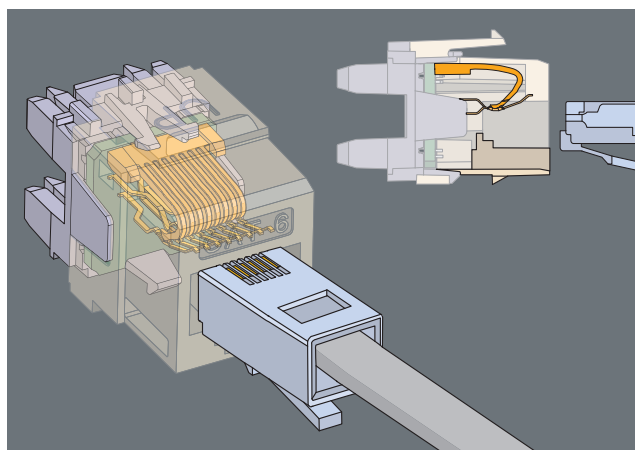
| CATEGORY 6A QUICKPORT® CONNECTORS | |
|--|-----------|
| DESCRIPTION | PART NO. |
| [A] eXtreme 10G channel-rated connector | 6110G-R*6 |
| Cone of Silence™ replacement pack (bag of 13) | 61COS-B13 |
| CATEGORY 6 QUICKPORT CONNECTORS | |
| [B] eXtreme 6+ component-rated connector | 61110-R*6 |
| eXtreme 6+ component-rated connectors QuickPack® (25 per pack) | 61110-B*6 |
| [C] eXtreme 6+ shielded channel-rated connector | 6S180-SH6 |
| CATEGORY 5E QUICKPORT CONNECTORS | |
| [D] GigaMax® 5e+ component-rated connector | 5G110-R*5 |
| GigaMax 5e+ component-rated connectors QuickPack (25 per pack) | 5G110-B*5 |
| [E] GigaMax 5e channel-rated connector | 5G108-R*5 |
| GigaMax 5e channel-rated connectors QuickPack (25 per pack) | 5G108-B*5 |
| [F] GigaMax 5e shielded channel-rated connector | 5S180-SH5 |
| CATEGORY 5 CONNECTORS | |
| [G] Category 5 connector | 41108-R*5 |
| CATEGORY 3 CONNECTORS | |
| [H] Category 3 connector | 41108-R*3 |
| VOICE GRADE CONNECTORS | |
| [I] 6-conductor USOC connector | 41106-R*6 |
| 8-conductor USOC connector | 41108-R*8 |

Note: Protect your Category 5e and 6 connectors from damage with Leviton's field-installable Shutters and Icons. See Labeling Solutions (Section I).

* = Colors: Choose from any of the colors below.



Spotlight



Retention Force Technology®

Leviton's patented Retention Force Technology (RFT), found in CAT 6A eXtreme 10G, eXtreme 6+ and GigaMax 5e+ jacks, provides unequaled durability and reliability, making it ideal for demanding applications. The key feature, a patented polymer spring, supports tines and increases their resistance to strain and damage. Even when 4- or 6-pin plugs and probes are inserted, the spring returns tines to their pre-stress location and protects against long-term damage. The gas-tight IDC with superior wire retention, plus pair separation towers and easy punchdown, ensure effective installation and long-term performance.

Technologies that especially need RFT protection include:

- Gigabit and 10 Gigabit Ethernet connectivity
- VoIP – uses all 8 pins for IP and power
- PoE – uses pins 4/5, 7/8 to deliver power in VoIP, WAP and security applications