

Commercial Grade

User Attachable Devices

Specifications and Features

- UL 943 Class A GFCI operation with open-neutral protection
- May be pre-wired to cable of any specified length up to 50 feet
- Available in wiring modules that accept No. 18 (.300") thru No. 12 (.450") cord sizes Type SJ Only and No. 16 (.300") thru No. 12 (.597") cord sizes Type SJ or ST
- Power indicator light goes off if GFCI trips, power is interrupted or GFCI is unplugged
- Backed by a Two-Year Limited Product Warranty



6594

RIGHT ANGLE GFCI PLUG

Description	Color	Cat. No.	Cat. No.	Cat. No.
		1-15P	5-15P	5-20P
Rating		15A-120V	15A-120V	20A-120V
Automatic Reset - Type SJ Cords Only*	Black	16592	16593	16893
Automatic Reset - Type SJ and ST Cords**	Black	-	16693	16793
Manual Reset***	Yellow	-	6594	6894

*Wiring module accepts No. 18 (.300") thru No. 12 (.450") cord sizes Type SJ Only.

**Wiring module accepts No. 16 (.300") thru No. 12 (.597") cord sizes Type SJ or ST.

***Wiring module accepts No. 18 (.300") thru No. 12 (.607") cord sizes.



16593

Description	Color	Cat. No.	Cat. No.	Cat. No.
				5-20P
Rating				20A-120V
NEMA 3R While-In-Use Cover for Right Angle GFCI Plugs with ground pin up orientation	Clear/Black Base			86593-0EM
NEMA 3R While-In-Use Cover for Right Angle GFCI Plugs (receptacle included for ground pin up or down mounting)	Clear/Black Base			86593-1EM

IN-LINE GFCI WITH LINE/LOAD WIRING CHAMBERS

Description	Color	Cat. No.	Cat. No.	Cat. No.
In-line GFCI with line/load wiring chambers Type SJ and ST Cords**	Black			GCA20

**Wiring module accepts No. 16 (.300") thru No. 12 (.597") cord sizes Type SJ or ST.

TESTING AND CODE COMPLIANCE

Meets all NEMA WD 1 & 6, and ANSI requirements

- UL Standard 943 Class A (GFCI)
- UL Listed (File #48380)
- CSA Certified (File #LR-57811)
- NOM Certified (#057)

MATERIAL CHARACTERISTICS

Environmental: Flammability, Rated V2
Operating Temperature: -35°C to 66°C

MISC MOTOR CONTROL RATING

3/4 HP @ Rated voltage

ELECTRICAL

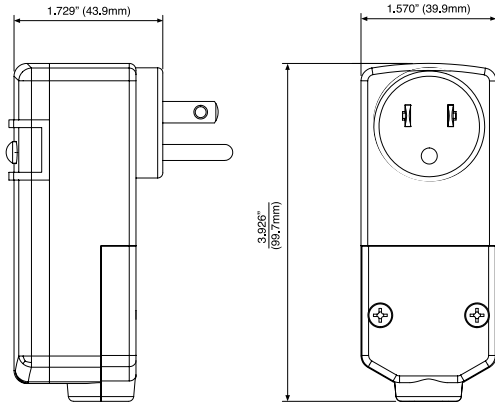
Dielectric Voltage: 1250V Line-to-load and 2500V line/load-to-ground
4000V conductor-to-enclosure extendor
Current Interr.: 2kA
Trip Level: 5 ± 1 mA

MECHANICAL

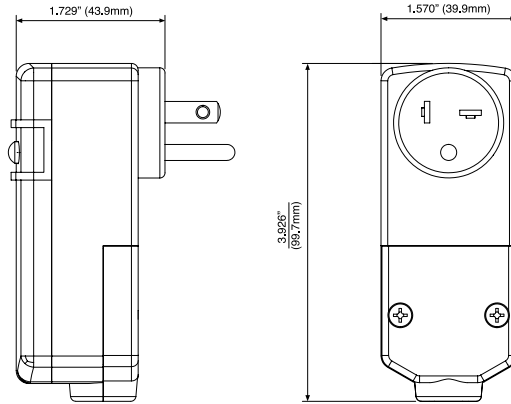
Terminal I.D.: Brass-Hot, Silver-Neutral, Green-Grounding
Terminal Accom.: #18-#12 AWG (exceptions where noted)
Product I.D.: Ratings are permanently marked on device

DIMENSIONS

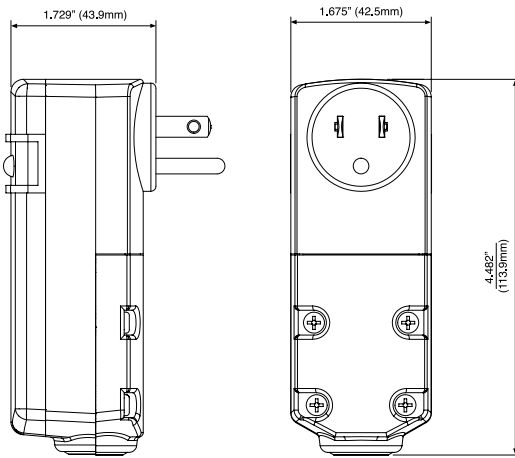
Cat No 16593



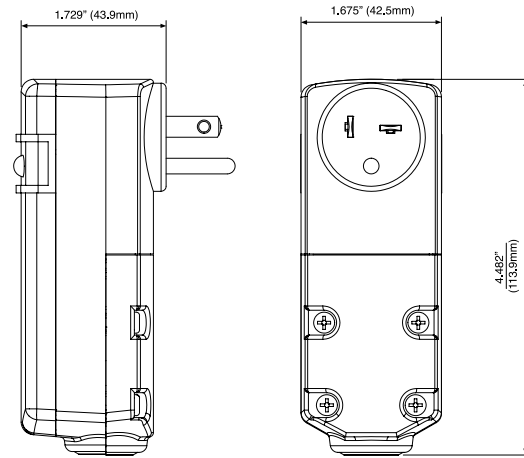
Cat No 16893



Cat No 16693



Cat No 16793



Cat. No. GCA20

