

### Decora® Wall Switch Occupancy Sensor Lighting Controls (Commercial Grade)

Convenient switch and occupancy sensor combo in sleek Decora® style unit. Advanced passive infrared technology provides highly accurate monitoring in a variety of commercial applications. The OSSMD and OSSMT Multi-Tech unit combines passive infrared and ultrasonic technologies to provide maximum sensitivity with immunity to false triggering.

#### Specifications and Features

- Leviton Wall Switch Sensors are designed for operation in a variety of voltages, reducing the need for additional SKUs

#### Dual-Relay PIR Occupancy Sensors

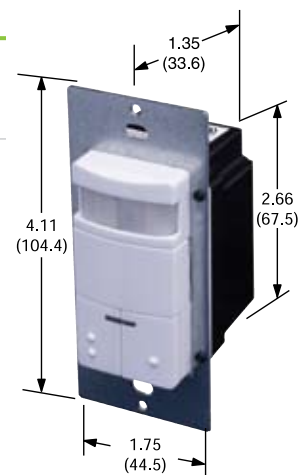
- Ideal for classrooms, multimedia and conference rooms, day care centers, office, and lounges
- Exclusive automatic “Walk-Through” sensing
- Provides automatic switching for 2 separate banks of fluorescent, incandescent, or low-voltage lighting from a single unit
- Delayed-OFF time interval (10, 20 and 30 minutes) compensates for real-time occupancy patterns, preventing unnecessary ON/OFF switching—with 30-second test mode
- ODS0D-TD provides Manual-ON/Auto-OFF operation for CEC Title 24 compliance
- Backed by a Limited Five-Year Warranty

#### OSSMT-MD, OSSMT-GD, OSSMD-MD, OSSMD-GD, OSSMD-FT

- OSSMT ideal for private and Executive offices, conference rooms, storage areas, restrooms, classrooms, lounges, and training areas, or areas where minor motion is likely to occur
- OSSMD ideal for bi-level offices, partitioned areas and restrooms or areas where minor motion is likely to occur
- Photocell with ambient light override prevents lights from turning on when there is ample natural light
- Manual override turns lights on at any time regardless of override setting
- Exclusive automatic “walk-through” sensing increases energy savings by shutting lights within 2 1/2 minutes after momentary occupancy
- Manual delayed-off-time settings: (10, 20, and 30 minutes) compensates for real-time occupancy patterns, preventing unnecessary ON/OFF switching — with 30-second test mode
- Single-pole and 3-way wiring
- Adjustable integral blinders with 180° to 32° field-of-view
- Manual ON/Auto OFF operation for CEC Title 24 compliance
- Backed by a Limited Five-Year Warranty

### DUAL-RELAY DECORA WALL SWITCH INFRARED OCCUPANCY SENSOR

Description	Cat. No.	Photocell Control Options Per Relay	Rating	Color
Dual-Relay Decora Wall Switch PIR Occupancy Sensor with Self-Adaptive Technology, 180° field of view, 2100 sq. feet	ODS0D-ID	Default Setting: Conference Room Mode (Both Primary and Secondary Relays respond to Ambient Light Override.) Alternate Setting: Classroom Mode (Primary Relay only responds to Ambient Light Override.)	Primary Relay: Fluorescent: 1200VA @ 120V, 2700VA @ 277V. Incandescent: 800W @ 120V. Secondary Relay: Fluorescent: 800VA @ 120V, 1200VA @ 277V. Incandescent: 800W @ 120V	W, I, A, T, G, E



ODS0D-IDW/ODS0D-TDW

Continued On Next Page >

## Commercial Grade

Continued From Previous Page > **Description**

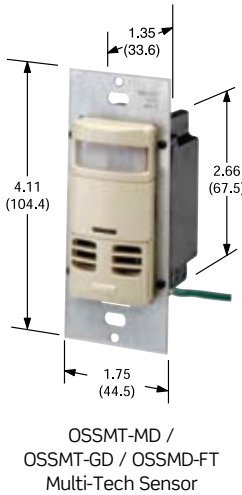
**Cat. No.**

**Photocell  
Control Options  
Per Relay**

**Rating**

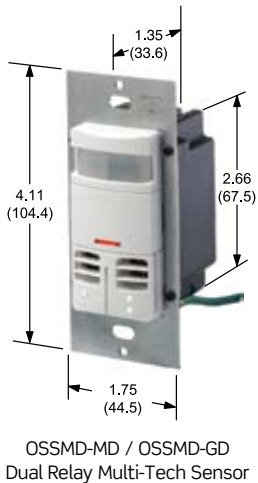
**Color**

Dual-Relay Decora Wall Switch PIR Occupancy Sensor with Self-Adaptive Technology. Secondary relay provides Manual-ON only for CEC Title 24 compliance, 180° field of view, 2100 sq. ft	ODS0D-TD	Primary Relay provides Automatic ON switching and responds to Ambient Light Override. Secondary Relay provides Manual-ON switching only	Primary Relay: Fluorescent: 1200VA @120V, 2700VA @ 277V. Incandescent: 800W @ 120V. Secondary Relay: Fluorescent: 800VA @ 120V, Incandescent: 800W @ 120V	W, I, A, T, G, E
--	----------	---	---	------------------



### DECORA® WALL SWITCH MULTI-TECH (PIR & US) OCCUPANCY SENSORS\*

Description	Cat. No.	Rating	Color
Decora Wall Switch Multi-tech Occupancy Sensor with Self-Adaptive Technology 180°, 2400SF	OSSMT-MD	Incandescent/Tungsten: 800W @ 120V Fluorescent: 1200V@120V, 2700VA@277V, Motor: 1/4HP@120V	W, I, A, T, G, E
Decora Wall Switch Multi-tech Occupancy Sensor No neutral wire required for installation 180°, 2400SF	OSSMT-GD	Incandescent/Tungsten: 800W @ 120V Fluorescent: 1200V@120V, 2700VA@277V, Motor: 1/4HP@120V	W, I, A, T, G, E
Dual-Relay Decora Wall Switch Multi-tech Occupancy Sensor 180°, 2400SF	OSSMD-MD	Primary Relay: Fluorescent:1200VA @120V, 2700VA @ 277V. Incandescent: 800W @ 120V Motor: 1/4HP@120VC	W, I, A, T, G, E
Dual-Relay Decora Wall Switch Multi-tech Occupancy Sensor No neutral wire required for installation 180°, 2400SF	OSSMD-GD	Primary Relay: Fluorescent:1200VA @120V, 2700VA @ 277V. Incandescent: 800W @ 120V Secondary Relay - Fluorescent 800VA @ 120V, 1200VA@277V; Incandescent:800W@120V Motor: 1/4HP@120VC	W, I, A, T, G, E
Dual-Relay Decora Wall Switch Multi-tech Occupancy Sensor 10 minute delayed - OFF on and relay 180°, 2400SF	OSSMD-FT	Primary Relay: Fluorescent:1200VA @120V, 2700VA @ 277V. Incandescent: 800W @ 120V Secondary Relay - Fluorescent	W, I, A, T, G, E



\*Consult Factory for 208, 220, 230 and 240V models.

### TESTING AND CODE COMPLIANCE

- UL Listed (File #E-118904), (ODSXX and OSSMT-MD models)
- CUL/US Certified (ODS0D-ID)
- ETL/cETL Listed UL508/CSA C22.2 No. 14 (OSSMD and OSSMT-GD models)
- CSA Certified (File #LR-91148M)
- CEC Title 24 compliant (ODSXX, and OSSMX models) and meets ASHRAE Standard 90.1 requirements

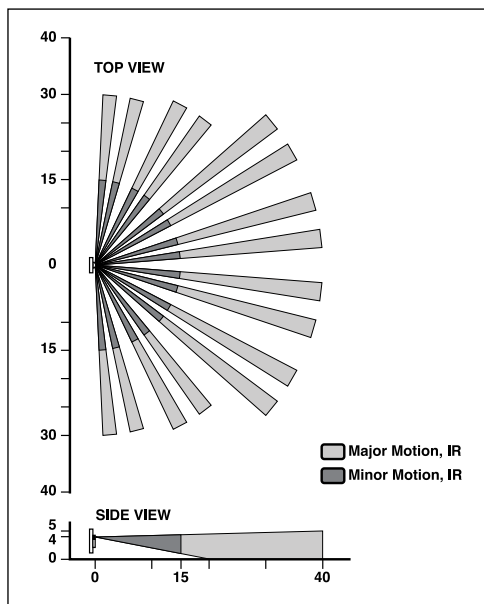
### MATERIAL CHARACTERISTICS

- Operating Temperature: 0°C to 50°C
- Storage Temperature: -10°C to 85°C
- Relative Humidity: 20% to 90% non-condensing

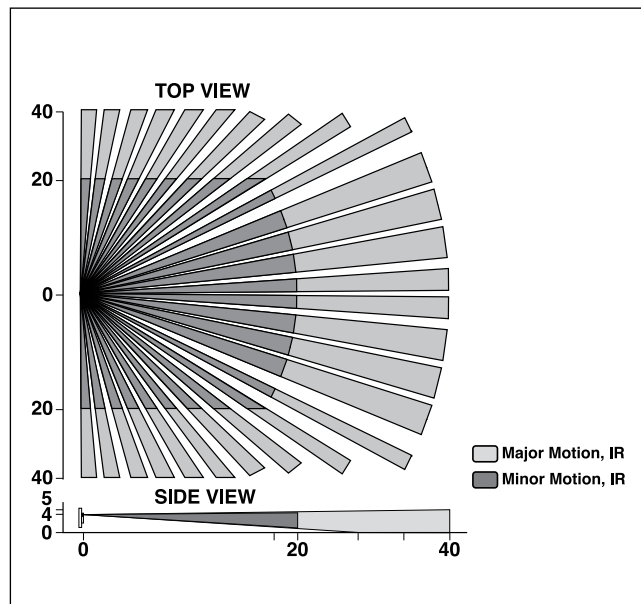
### COLOR

To order colors, add suffix to catalog number as follows: White (-W), Ivory (-I), Almond (-A), Light Almond (-T), Grey (-G), Black (-E).

## FIELD OF VIEW



ODS0D  
(Field of View in Feet)



OSSMD/OSSMT  
(Field of View in Feet)