

# CANDELABRA LAMPHOLDERS

Bayonet Type  
BA15d Base



INCANDESCENT



910-001

## Double Contact Bayonet Lampholder

For lamps with BA15d base

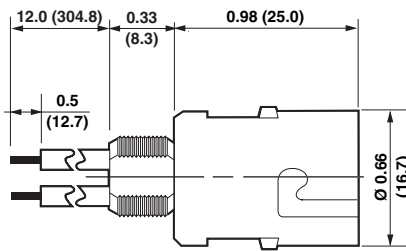
Longer nickel-plated metal shell design conforms to the latest UL requirements by stabilizing the bulb against coaxial displacement. Mounting bracket, male bushing and shell are grounded independent of contacts. Standard leads (2) are No. 18 AWG SEW-1 200° 300V wire, 12" long, stripped 1/2". Other wire types, lead lengths and mounting brackets are available upon request.

**Standard pack:** bulk

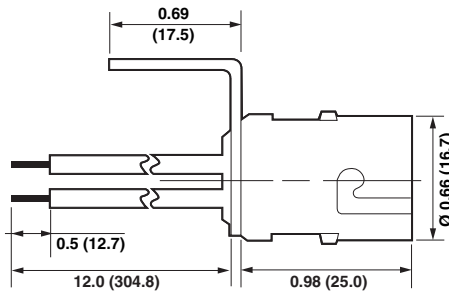
**Cat. No. 910-001:** With male bushing

**Cat. No. 910-200 Series:** With mounting brackets

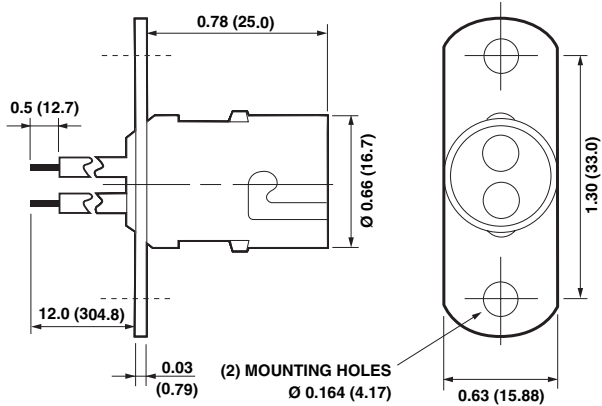
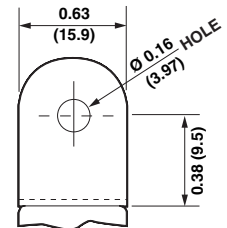
- 500W-125V
- UL Listed E-13405
- CSA Certified LR-1863
- NOM Certified 057



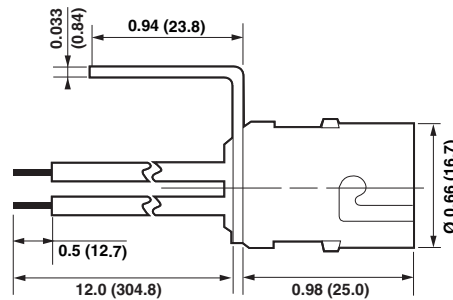
Cat. No. 910-001



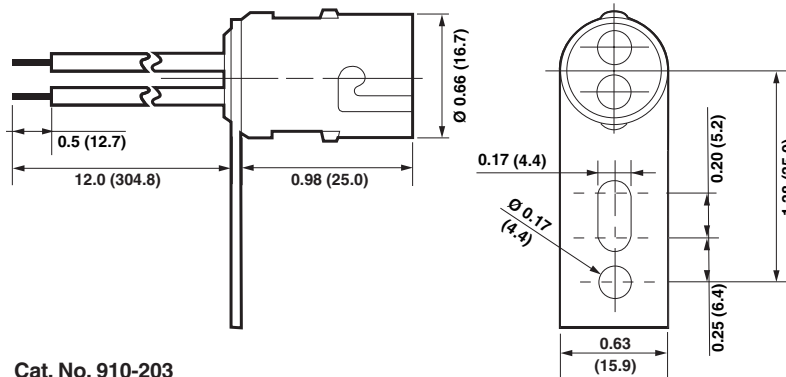
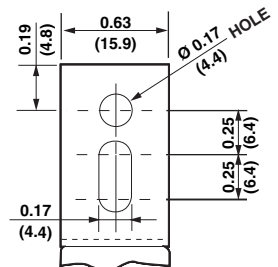
Cat. No. 910-209



Cat. No. 910-200



Cat. No. 910-201



Cat. No. 910-203