

# KEYLESS FIXTURE LAMPHOLDERS

Front Mounted • Snap-In  
Medium Base E26



INCANDESCENT



8882



8880



8881



8875

## One-Piece Shallow Shoulder with Quick-Connect Tabs

**Cat. No. 8882:** Unglazed porcelain body. Shallow lamp projection. Rust-proofed, spring-tempered steel mounting clip, riveted to body. Screw shell is copper alloy. With two .250" wide x .031" thick quick-connect terminals bent at 45°.

**Standard pack:** bulk

**Cat. No. 8880:** Same as No. 8882 with #6-32 screw terminals backed out and staked.

**Cat. No. 8881:** Same as No. 8880, with leads: No. 18 AWG 105° AWM-TEW plastic insulated wire, 6', stripped 3/4".

- 660W-250V • UL Listed E-3810 • CSA Certified LR-1863
- NOM Certified 057

## One-Piece Shallow Back

**Cat. No. 8875:** Unglazed porcelain body. Rust-proofed, spring-tempered steel mounting clip riveted to body. Screw shell is copper alloy. Screw terminals: (2) #6-32 screws, backed out and staked.

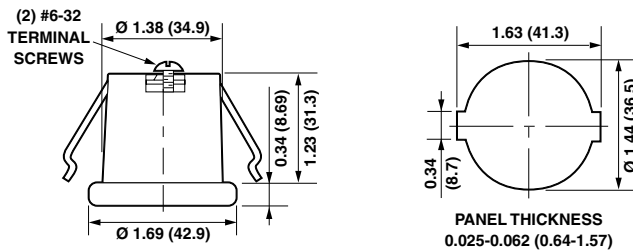
**Standard pack:** bulk

**Cat. No. 8876:** Same as No. 8875, with leads: No. 18 AWG 105° AWM-TEW plastic insulated wire, 9" long, striped 3/4". Also available with insulating cover.

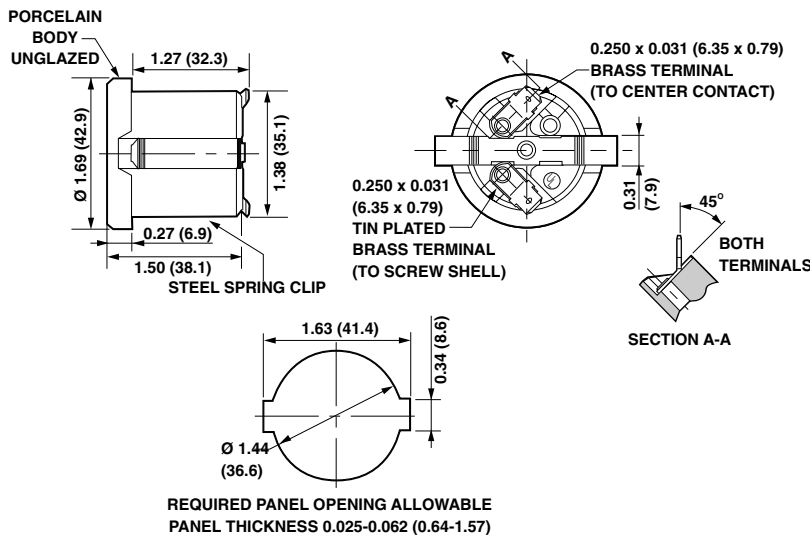
**Cat. No. 8877:** Same as No. 8875, with quick-connect terminals.

For medium base HID, see pages D10, D12.

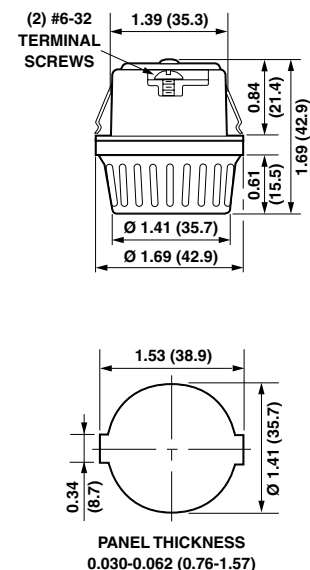
- 660W-250V • UL Listed E-3810 • CSA Certified LR-1863
- NOM Certified 057



Cat. No. 8880



Cat. No. 8882-009



Cat. No. 8875