

KEYLESS FIXTURE LAMPHOLDERS

Porcelain
Medium Base E26



INCANDESCENT



10035-220

Opposite Wireways

White glazed porcelain body with wireways. Spring center contact. Insulated washer has no hole. Standard leads are No. 18 AWG 105°C AWM-TEW plastic insulated wire, 9" long, stripped 3/4".

Standard pack: bulk

- 660W-250V • UL Listed E-3810 • CSA Certified LR-1863 • NOM Certified 057

Cat. No.	Mountings
10035-220*	Bushings
10035-210	Screws
10035-200	Less screws or bushings

*CSA Certified LR-1863, UL Recognized Component



70037

Recessed Quick-Connect Tabs

Unglazed porcelain body with two wireways. Copper-alloy nickel-plated screw shell. Aluminum screw shell optional. Recessed quick-connect tabs .205" x .032".

Standard pack: bulk

Cat. No. 70037

- 660W-250V
- UL Recognized Component

Cat. No.	Mountings
70037	#6-32 captive nuts
70040	#6-32 captive screws

Cat. No. 70040

- 660W-660V • UL Listed E-3810 • NOM Certified 057



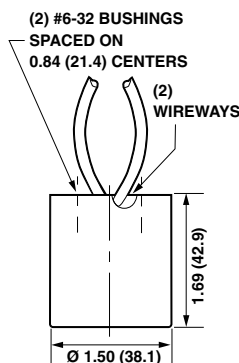
30

Heavy Duty Lampholder

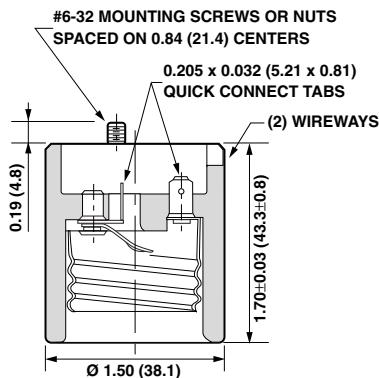
Body and cap white glazed porcelain. Wiring terminals are in cap. Positive, one-way cap-to-body fit. Copper alloy screw shell. The gasket supplied with this item is rated at 90°C dry maximum.

Cat. No. 30

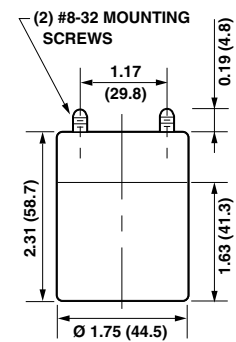
- 660W-250V • UL Listed E-3810 • NOM Certified 057



Cat. No. 10035-220



Cat. Nos. 70037 & 70040



Cat. No. 30