



357

Mogul Base

For Par 56 & 64 lamps (Mogul end prong base)
4 KV and 5 KV versions

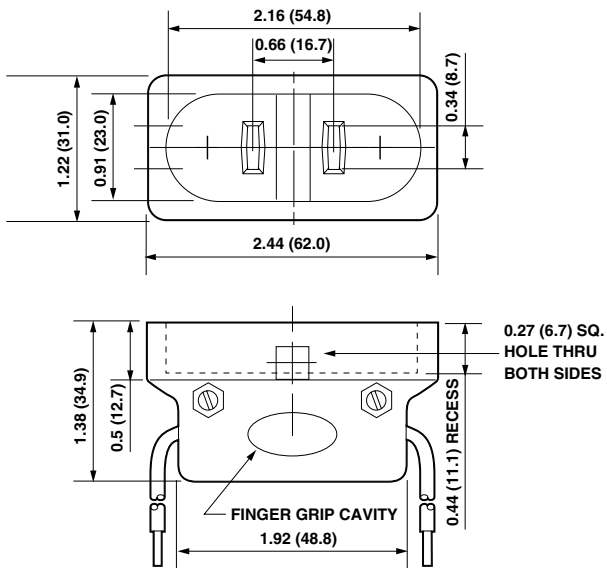
White, unglazed porcelain body. Heavy-duty, copper-alloy, nickel-plated contacts. Standard leads 18" long, stripped 3/4". Other wire lead types and lengths available.

Standard pack: bulk

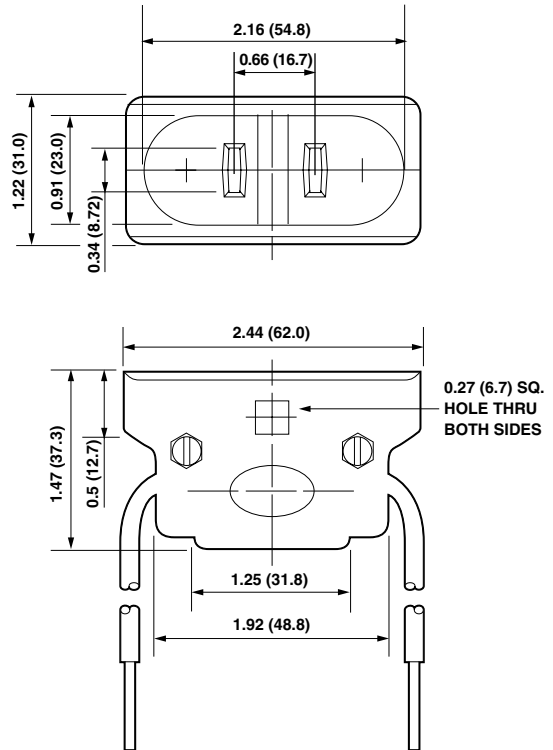
Cat. No. 357 Series

- UL Listed E-13405
- CSA Certified LR-5863

1000W-125V Cat. No.	4 KV Pulse Rated 1500W-600V Cat. No.	5 KV Pulse Rated 1500W-600V Cat. No.	Description
357-009	357-409	357-509	No. 14 Ga. SEW-2 200°C Leads
357-007	357-407	357-507	No. 16 Ga. SEW-2 200°C Leads



Cat. Nos. 357-009, 357-007



Cat. Nos. 357-409, 357-407, 357-509, 357-507