

MEDIUM BASE LAMPHOLDERS

Pulse Rated • E26 Base



HID • INCANDESCENT

5 KV Pulse Rated Medium Base Lampholder with Quick-Connect Tabs

Designed for Multiple Incandescent and HID Applications

Leviton's porcelain medium base lampholder accepts a wide range of incandescent and HID medium base lamps, including mercury vapor, metal halide and high pressure sodium lamps. The Cat. No. 70048-500 is 5 KV pulse rated and features quick-connect tabs for fast, easy fixture wiring. The versatile lampholder helps consolidate your medium base lampholder inventory and reduce assembly time. Made from the highest-quality porcelain with a brass nickel-plated screw shell.

Applications include indoor lighting for retail, commercial and industrial facilities, parking lots and garages, outdoor stairways and pathways, recreational facilities and any commercial application where medium base incandescent or HID lighting is used.

Standard pack: bulk

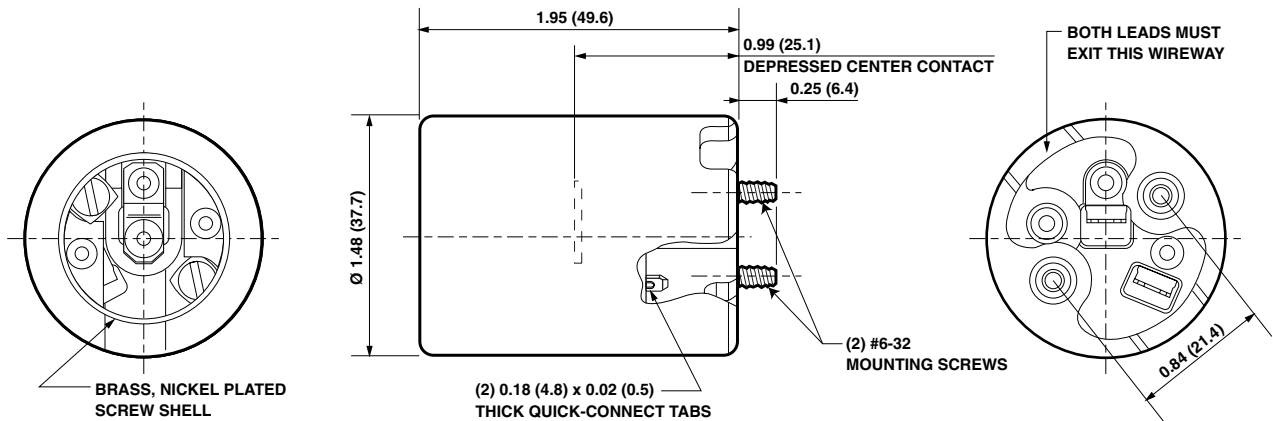
Cat. Nos. 70047-500 & 70048-500

- 660W-600V • 5 KV Pulse Rated • UL Listed E-3810 • CSA Certified LR-1863



70048-500

Cat. No.	Description
70047-500	Medium Base Lampholder with wireways. (2) 0.187" wide x 0.020" thick quick-connect tabs and (2) #6-32 mounting bushings.
70048-500	Same as above, with (2) #6-32 mounting screws.



Cat. No. 70048-500 Series

SECTION D