

# MINIATURE BI-PIN QUARTZ LAMPHOLDERS

Single-Ended • GX5.3 (MR 16) Base



LAMP HOLDERS



80050

## Miniature Bi-Pin Quartz Lampholders

Ceramic body with mica cover. Standard leads are No. 18 AWG SEW-1 200°C wire, 12" long, stripped 1/2". Leads with 250°C rating are available upon request.

**Cat. No. 80050** Lamp-supported lampholder.

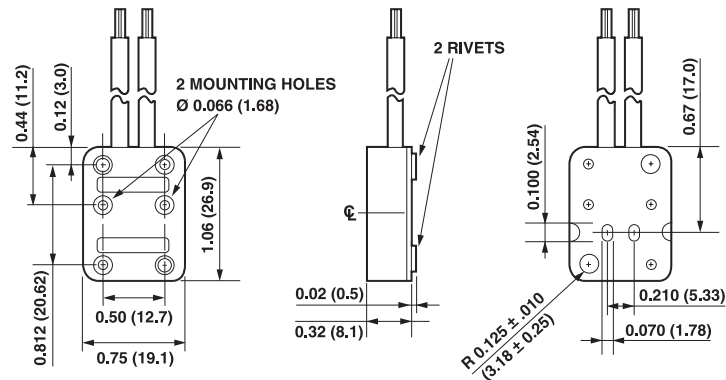
**Cat. No. 80051** Same as 80050, except with mounting ears. For flush mounting. Also available with a choice of various brackets for bracket mounting.

**Rating:** 300V maximum voltage  
10A maximum amperage  
1000W maximum wattage

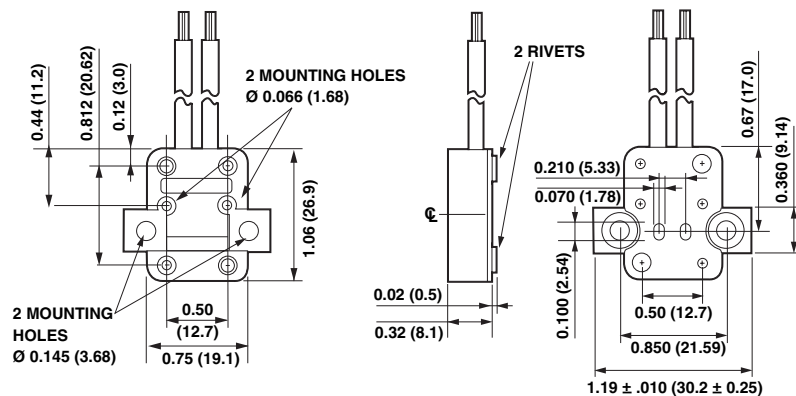
- UL Recognized Component E-13405
- CSA Certified LR-1863



80051



Cat. No. 80050



Cat. No. 80051