

MEDIUM BI-PIN FLUORESCENT LAMP HOLDERS

Low Profile • G13 Base



LINEAR FLUORESCENT



13652

Snap-In/Slide-On Design and Lamp-Lock Socket

Dedicated for Energy-Efficient T-8 Lamps Only

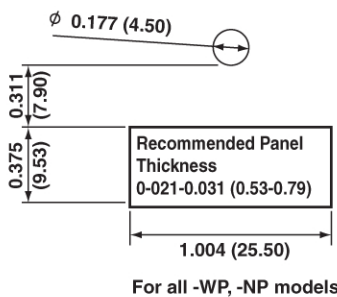
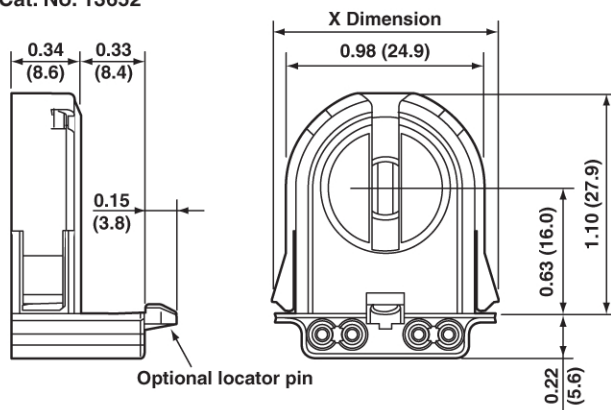
Extra-low profile thermoplastic lampholder with front push-in wiring ports for easier access, snap-in or slide-on mounting options, knife-edge contacts and a 4-position, positive-stop lamp lock that makes it simple for end-users to relamp in service. Fits thin 22 to 25 gauge panels that facilitate smaller, more cost-effective fixtures. With optional panel locator pin. Available shunted (Cat. No. 23652) and non-shunted (Cat. No. 13652).

Cat. Nos. 13652 & 23652

- 660W-600V • UL Listed E-5833 • CSA Certified LR-1863
- NOM Certified 057 • IEC: Complies with EN 60400 :2000.

Cat. No.	X Dimension	Description
13652-WP	1.12 (28.4)	Medium Bi-Pin Snap-In or Slide-On Fluorescent Lampholder, T-8 dedicated, with lamp lock.
13652-NP	1.12 (28.4)	Same as above less locator post.
23652-WP	1.12 (28.4)	Same as 13652-WP, except with internal shunt connection for use with instant-start ballasts. Back of lampholder is stamped "S" to identify shunt and help prevent improper applications.
23652-NP	1.12 (28.4)	Same as above less locator post.
13652-WWP	1.15 (29.2)	Medium Bi-Pin Snap-In or Slide-On Fluorescent Lampholder, T-8 dedicated, with lamp lock. Wide-wing design.
13652-WNP	1.15 (29.2)	Same as above less locator post.
23652-WWP	1.15 (29.2)	Same as 13652-WWP, except with internal shunt connection for use with instant-start ballasts. Back of lampholder is stamped "S" to identify shunt and help prevent improper applications.
23652-WNP	1.15 (29.2)	Same as above less locator post.

Cat. No. 13652



Cat. No. 23652

