

# MEDIUM BI-PIN LAMP HOLDERS

Pedestal Type • G13 Base



LINEAR FLUORESCENT

## Slide-On, Shallow Base for T-8 and T-12 Lamps

Molded in white. Shallow wiring recess. Multiple terminal design accepts jumper leads on stationary end. Quickwire terminals accept No. 18 or No. 16 AWG solid; solder-dipped; or twisted, tinned and fused, stripped 3/8" to 5/8". Silver plated contacts. 20 gauge panel thickness.

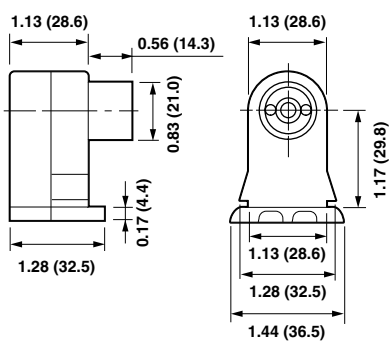
Cat. Nos. 13570 & 13571

- 660W-600V
- UL Listed E-5833
- CSA Certified LR-5863
- NOM Certified 057

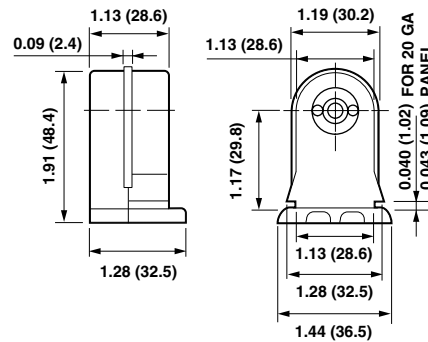
Cat. No.	Back-To-Back Dimension
13570	Nominal lamp length +1 3/4" ±1/32
13571	Nominal lamp length +1 3/4" ±1/32



SECTION A



Cat. No. 13570



Cat. No. 13571