

---

# Medium Bi-Pin Lampholders for T-8 Lamps with G13 Base



## *New Selection Offers Total Design Flexibility*

- Tall, Medium and Short Profile
- Bottom Wiring
- Slide-On or Snap-In Mounting

## *Applications:*

- Ceiling lighting in a wide range of commercial environments including offices, schools, hotels and libraries
- Troffers and shop fixtures

## *Features and Benefits:*

- Available in tall profile (30mm lamp center), medium profile (23mm lamp center) and new short profile (16mm lamp center)
- Bottom-load wiring
- Four-position, positive-stop lamp-lock socket for easy relamping in service
- Available with internal shunt connection for instant start ballasts or non-shunted versions
- Chemical-resistant white thermoplastic body
- Slide-On models fit thin 22 gauge panels for streamlined fixture designs
- Knife-edge contacts on Tall and Medium Slide-On models
- Snap-In models available with optional locator pin for added stability



**Rating:**

660W-600V

**Agency Standards:**

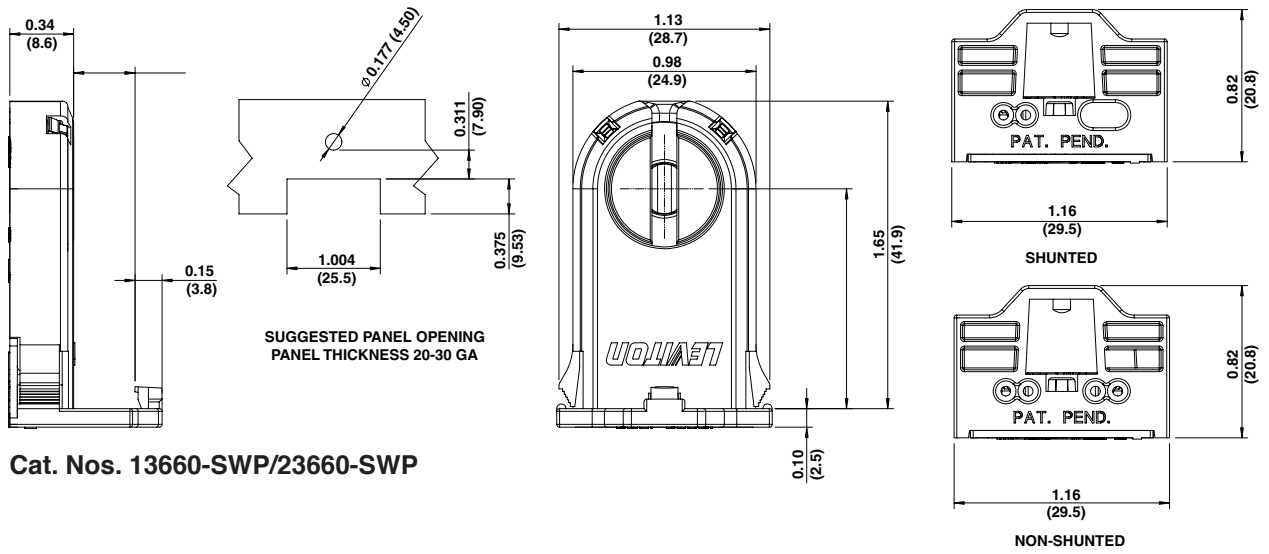
UL Listed  us (File #E-5833)  
 NOM Certified (File #057)  
 VDE Certified to IEC

**ORDERING INFORMATION:**

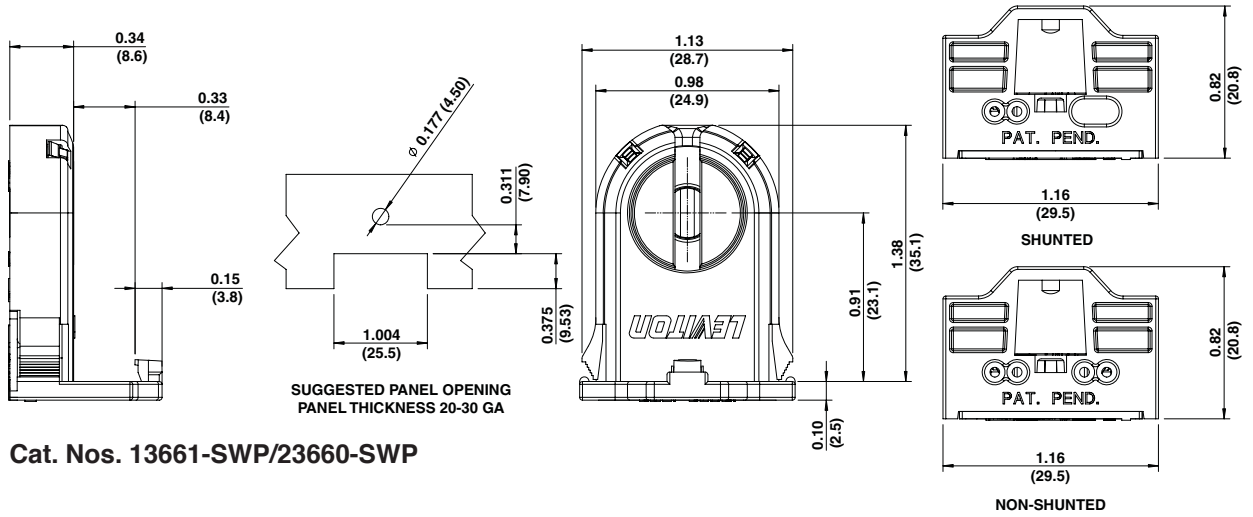
Cat. No.	Description
13660-SL	Tall Profile Slide-On, 30mm lamp center height
23660-SL	Same as above, except with internal shunt connection
13661-SL	Medium Profile Slide-On, 23mm lamp center height
23661-SL	Same as above, except with internal shunt connection
13662-SL	Short Profile Slide-On, 16mm lamp center height
23662-SL	Same as above, except with internal shunt connection
13660-SWP	Tall Profile Snap-In with locator pin, 30mm lamp center height
13660-SNP	Same as above, except without locator pin
23660-SWP	Tall Profile Snap-In with locator pin and internal shunt connection, 30mm lamp center height
23660-SNP	Same as above, except without locator pin
13661-SWP	Medium Profile Snap-In with locator pin, 23mm lamp center height
13661-SNP	Same as above, except without locator pin
23661-SWP	Medium Profile Snap-In with locator pin and internal shunt connection, 23mm lamp center height
23661-SNP	Same as above, except without locator pin
13662-SWP	Short Profile Snap-In with locator pin, 16mm lamp center height
13662-SNP	Same as above, except without locator pin
23662-SWP	Short Profile Snap-In with locator pin and internal shunt connection, 16mm lamp center height
23662-SNP	Same as above, except without locator pin

# Snap-In Medium Bi-Pin Lampholders for T-8 Lamps with G13 Base

Cat. Nos. 13660-SWP/13660-SNP, 23660-SWP/23660-SNP



Cat. Nos. 13661-SWP/13661-SNP, 23661-SWP/23661-SNP



Cat. Nos. 13662-SWP/13662-SNP, 23662-SWP/23662-SNP

