



6151

## Full Range Dimmer Socket

### Removable Turn Knob

Makes any lamp an infinitely variable light source. Uses single-filament lamp. Full range rotary dimming control with positive ON-OFF.

- 150W-120V AC only
- UL Recognized Component E-3810

Description	Cat. No.	Cap Bushing	Set Screw
Dimmer Socket	6151	1/8 IPS	Yes
Dimmer Socket	6151-3	1/4 IPS	Yes

NOTE: knob and extension shaft must be crimped.

### Extensions for Cat. No. 6151 Socket (see assembly drawing below)

Description	Cat. No.
Extension adapter	22994-PRT
Extension shaft 3/4" (19.05)	1074-PRT
Extension shaft 1" (25.4)	9800-PRT
Phenolic knob 1/2" dia. (12.7)	6417-PRT

NOTE: Specify all sockets with or without set screw.



6155

## Hi-Lo Dimmer Socket

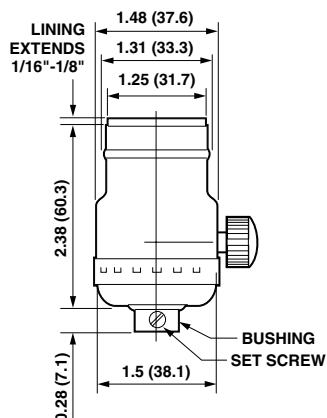
### Removable Turn Knob

For operating a single-filament lamp in a sequence of HI-LO-OFF. Removable knob is molded brown plastic. Metal shell or phenolic shell. Mandrel threaded #6-32.

- 150W-120V AC only
- UL Recognized Component E-3810
- CSA Certified LR-1863

Description	Cat. No.	Cap Bushing
HI-LO turn knob dimmer socket, metal shell	6155	1/8 IPS

NOTE: Specify all sockets with or without set screw. See page G7 for dimensions.



Cat. No. 6151

### SPECIAL EXTENSION ASSEMBLY

