

COUPLINGS

1/2" CTS through 30" IPS 

Our Couplings and Fittings deliver flexibility and reliability, and meet various standards.

Short Designation	MBI/UBI ... OD
Field of Application	Connections of PE Pipes 2406/2708 and 3408/4710
Range of Application	Gas up to 100 psi Water up to 200 psi



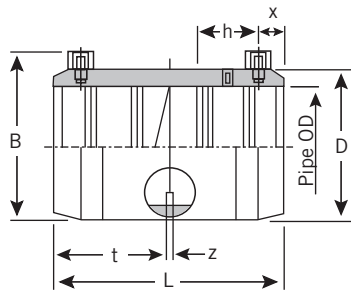
see pg 5 for
specific size
applications

COUPLINGS

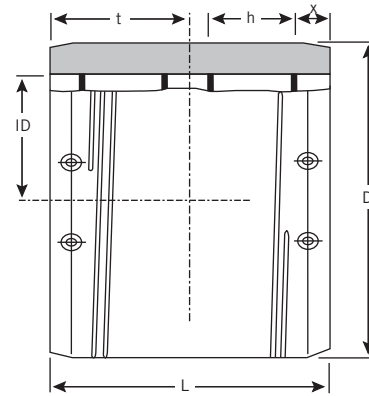
4" through 24" DIPS 



Short Designation UBI ... OD
 Field of Application Connections of PE Pipes 2406/2708 and 3408/4710
 Range of Application Water up to 200 psi



4"



6" - 24"

Nominal Pipe OD	DIPS	Product SDR	Code	ID min	ID max	D	L	t	h	x	Fusion Time/Sec @ 73°F	Cooling Time/Min ***/**/***
4"	13.5	128183		4.799	4.819	5.669	6.354	3.177	1.765	0.827	100	15/20/30
6"	11	128134		6.889	6.929	8.825	8.268	4.134	2.535	0.827	486	20/60/75
8"	11	128131		9.039	9.078	11.022	9.448	4.724	2.953	0.827	540	30/75/100
10"	11	128136		11.082	11.122	13.976	11.023	5.511	3.291	0.827	550 ea side	30/75/100
12"	11	128132		13.182	13.224	15.746	11.023	5.511	2.582	0.827	550 ea side	30/75/100
14"	11	128158		15.272	15.311	18.000	11.417	5.708	3.500	0.827	730 ea side	40/95/120
16"	11	128135		17.385	17.444	22.047	11.417	5.708	3.392	0.827	870/720 ea side	40/95/120
18"	13.5	128138		19.472	19.531	22.047	11.417	5.708	3.392	0.827	870/720 ea side	40/95/120
20"	13.5	128133		21.582	21.641	24.803	11.417	5.708	2.460	0.827	870/720 ea side	40/95/120
24"	11	128207		25.732	25.791	32.000	16.535	8.268	4.764	0.827	870/1080 ea side	45/95/120

FRIATEC Safety Fittings can be fused to all PE pipes SDR range 11 through 17.6.

- * Pipe can be moved after indicated cooling time (handling)
- ** Pipe can be pressurized after indicated cooling time (pressure <90 psi)
- *** Pipe can be pressurized after indicated cooling time (pressure >90 psi)

Please note 4", 18" or 20" DIP are rated SDR 13.5