

COUPLINGS

1/2" CTS through 30" IPS 

Our Couplings and Fittings deliver flexibility and reliability, and meet various standards.

Short Designation	MBI/UBI ... OD
Field of Application	Connections of PE Pipes 2406/2708 and 3408/4710
Range of Application	Gas up to 100 psi Water up to 200 psi

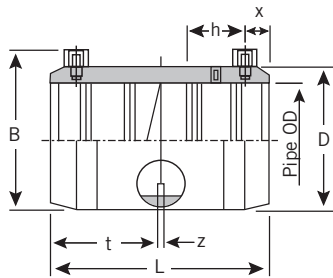


see pg 5 for
specific size
applications

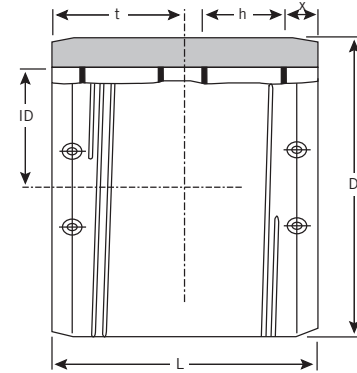


1/2" CTS through 30" IPS

1/2" - 6"



8" - 30"



Nominal Pipe OD CTS	Product SDR	Product Code	ID min	ID max	D	B	L	t	z	h	x	Fusion Time/Sec @ 73°F	Cooling Time/Min **/**/**
1/2"	11	128031	0.622	0.634	1.102	1.732	2.283	1.142	0.079	0.591	0.23	27	05/08/10
1"	11	128027	1.122	1.134	1.654	2.244	3.071	1.535	0.079	0.787	0.31	28	05/08/10

Nominal Pipe OD IPS	Product SDR	Product Code	ID min	ID max	D	B	L	t	z	h	x	Fusion Time/Sec @ 73°F	Cooling Time/Min **/**/**
3/4"	11	128026	1.047	1.059	1.575	2.165	2.598	1.260	0.079	0.728	0.27	28	05/08/10
1"	11	128024	1.311	1.323	1.850	2.460	3.071	1.496	0.079	0.787	0.31	28	05/08/10
1-1/4"	11	128025	1.654	1.679	2.244	2.835	3.346	1.634	0.079	0.945	0.39	34	10/15/25
1-1/2"	11	128033	1.902	1.917	2.480	3.130	3.858	1.870	0.079	1.060	0.46	34	10/15/25
2"	11	128028	2.374	2.390	3.142	3.657	4.449	2.205	0.079	1.205	0.51	54	10/15/25
3"	11	128029	3.496	3.516	4.606	4.980	5.472	2.717	0.079	1.417	0.59	100	10/30/40
4"	11	128030	4.492	4.516	5.827	6.173	6.260	3.110	0.079	1.689	0.67	151	10/30/40
6"	11	128032	6.610	6.634	8.543	8.740	7.992	3.976	0.079	2.295	0.79	440	20/60/75
8" monofilar	11	128060	8.626	8.665	11.029	-	9.448	4.724	-	2.953	1.063	540	20/60/75
8" bifilar	11	128023	8.626	8.665	11.022	-	9.448	4.724	-	2.953	1.063	554 ea side	20/60/75
10"	11	128061	10.748	10.787	13.975	-	11.811	5.275	-	3.149	1.063	500 ea side	30/75/100
12"	11	128062	12.748	12.787	15.746	-	11.219	5.610	-	2.679	1.142	550 ea side	30/75/100
14"	11	128064	13.976	14.016	17.716	-	11.811	5.905	-	3.500	1.260	580 ea side	30/75/100
16"	11	128063	15.969	16.008	19.685	-	12.598	6.299	-	3.748	1.260	870/730 ea side	45/95/120
18"	11	128065	17.969	18.008	22.047	-	13.386	6.693	-	3.346	1.260	870/870 ea side	45/95/120
20"	11	128176	19.961	20.016	24.803	-	14.173	7.086	-	3.622	1.260	870/720 ea side	45/95/120
22"	17	128066	21.961	22.016	24.803	-	14.566	7.283	-	3.291	1.260	870/720 ea side	45/95/120
24"	13.5	128067	24.000	24.039	27.952	-	15.748	7.874	-	4.095	1.420	870/850 ea side	45/95/120
28"	17	128068	27.992	28.031	31.496	-	15.748	7.874	-	6.062	1.614	850/850 ea side	60/80/120
30"	11	228461	29.980	30.020	37.008	-	19.684	9.842	-	5.376	1.614	1680/1740 ea side	60/90/120

FRIATEC Safety Fittings can be fused to all PE pipes SDR range 11 through 17.6.

- * Pipe can be moved after indicated cooling time (handling)
- ** Pipe can be pressurized after indicated cooling time (pressure <90 psi)
- *** Pipe can be pressurized after indicated cooling time (pressure >90 psi)
- † FM 200 psi, Short Designation: MBI...OD
- ▶ NSF approved