

# Fire-Rated Poke-Throughs for Concrete Floors

## Flush Furniture Feed FRPT



### 3 Inch Core Hole Units

#### Large Capacity, Single-Service Flush Furniture Feed FRPT, Two-Piece Units

Description	Catalog Number	Description	Color/Material	Catalog Number
Large Capacity, Single-Service Through Floor Fitting with (1) 2 in. EMT stem. Will accommodate up to 36 Category 5e cables.	<b>PT2FIT</b>	Large Capacity Cover/Flange	Brass Finish Black Gray	<b>FF2BRS</b> <b>FF2BK</b> <b>FF2GY</b>
Specifications: <ul style="list-style-type: none"> <li>• 1- to 2-hour fire rating</li> <li>• Single-Service, Power or Data</li> <li>• For 2¼ to 7 in. floor thickness</li> <li>• UL installation spacing – minimum 2 ft. on center and not more than 1 per 65 sq. ft. of floor area</li> <li>• Approved for use in the City of Chicago</li> </ul>		Specifications: <ul style="list-style-type: none"> <li>• Cover/flange with 1¼ in. and 2 in. trade size combination knockout</li> <li>• Painted aluminum cover and flange</li> <li>• Approved for use in the City of Chicago</li> </ul>		



Note: \*Includes pre-wired 20A isolated ground duplex Style Line® receptacle. See page P-32 for technical information.

#### Flush Furniture Feed FRPT, One-Piece Units



Description	Color	Catalog Number	Description	Color	Catalog Number
3-Service Furniture Feed Poke-Through	Black Gray Ivory	<b>PT73FFSDBK</b> <b>PT73FFSDGY</b> <b>PT73FFSDI</b>	Single-Service Furniture Feed Poke-Through	Black Gray Ivory	<b>PT7FFSDBK</b> <b>PT7FFSDGY</b> <b>PT7FFSDI</b>
Complete assembled unit includes: <ul style="list-style-type: none"> <li>• PT73SD floor fitting</li> <li>• Aluminum cover with (2) ½ in. threaded hubs for low voltage and (1) ¾ in. threaded hub for power</li> <li>• Painted aluminum flange</li> </ul>			Complete assembled unit includes: <ul style="list-style-type: none"> <li>• PT71SD floor fitting</li> <li>• Aluminum cover with (1) KO to accept a ¾ in. connector</li> <li>• Painted aluminum flange</li> </ul>		

Note: See page P-32 for technical information.

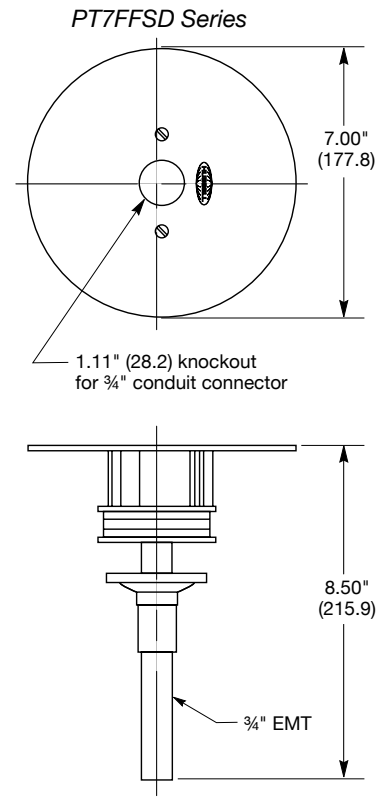
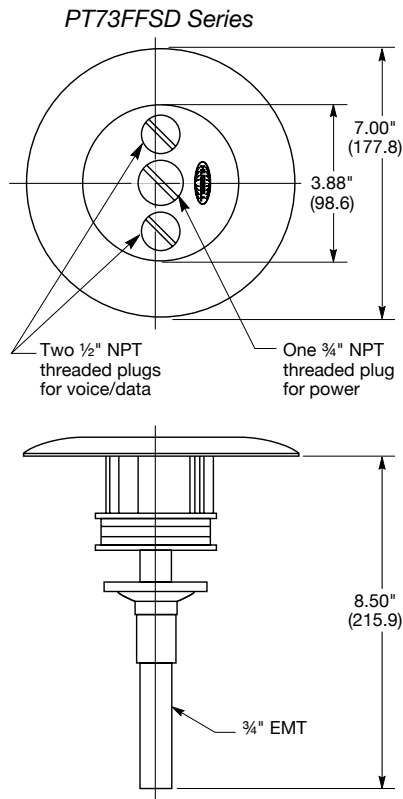
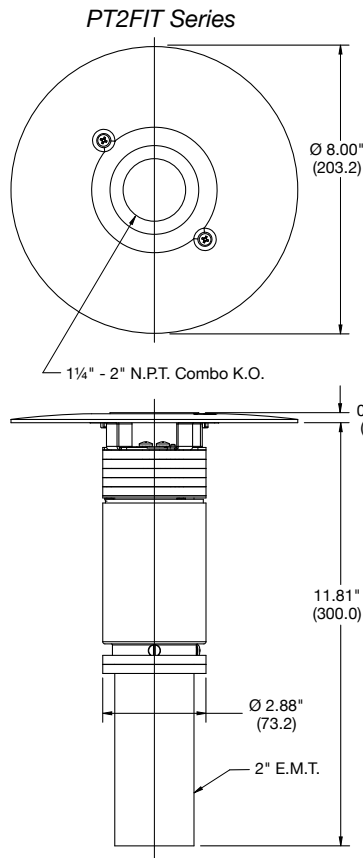
#### Flush Furniture Feed FRPT, Two-Piece Units

Description	Catalog Number	Description	Catalog Number
3-Service Furniture Feed Through-Floor Fitting with (1) ¾ in. EMT stem for power and (2) ½ in. low voltage conduit holes.	<b>PT73SD</b>	Single-Service Furniture Feed Through-Floor Fitting with (1) ¾ in. EMT stem for power or low voltage applications.	<b>PT71SD</b>
Specifications: <ul style="list-style-type: none"> <li>• 1 – 4 hour fire rating (1 – 3 hour for steel floor units and concrete topping, D900 Series Design)</li> </ul>		Specifications: <ul style="list-style-type: none"> <li>• For 2¼ to 7 in. floor thickness</li> <li>• UL installation spacing – minimum 2 ft. on center and not more than 1 per 65 sq. ft. of floor area</li> </ul>	

#### Service Fittings

Description	Color	Catalog Number	Description	Color	Catalog Number
3-Service Furniture Feed Service Fitting	Black Gray Ivory	<b>FRF3BK</b> <b>FRF3GY</b> <b>FRF3I</b>	Single-Service Furniture Feed Service Fitting	Brass Finish Black Gray	<b>FRF1BRS</b> <b>FRF1BK</b> <b>FRF1GY</b>
Complete assembled unit includes: <ul style="list-style-type: none"> <li>• Aluminum cover with (2) ½ in. threaded hubs for low voltage and (1) ¾ in. threaded hub for power</li> <li>• Painted aluminum flange</li> </ul>			Complete assembled unit includes: <ul style="list-style-type: none"> <li>• Aluminum cover with (1) KO to accept a ¾ in. connector</li> <li>• Painted aluminum flange</li> </ul>		

Note: See page P-24 for 3 Inch FRPT accessories. See page P-32 for technical information.



**Product Information**

**PT2FIT series**

- Flush aluminum service fitting with epoxy paint finish (gray, black and brass finish).
- Aluminum conduit cover with 2.47 in. (62.7) and 1.74 in. (44.2) combination knockouts to accept a 2 in. or 1 1/2 in. NPT flexible metal conduit connector.

**PT73FFSD series**

- Flush painted aluminum service fitting and carpet flange (color finish options: black, gray and ivory).
- Aluminum conduit insert cover with one (1) 3/4 in. and two (2) 1/2 in. die-cast threaded plugs.
- Supplied with one (1) 3/4 in. and two (2) 1/2 in. screw-in flexible metal conduit connectors.

**PT7FFSD series**

- Flush aluminum service fitting with epoxy paint finish (color finish options: gray, ivory and brass finish).
- Aluminum conduit cover with 1.11 in. (28.2) knockout to accept a 3/4 in. NPT flexible metal conduit connector.

**Application Data**

- Mounted in 3 in. (76.2) cored concrete diameter through hole.
- Floor thickness range: 2 1/4 in. to 7 in. (57.2 to 177.8).
- PT2FIT series has single-service, power or data.
- UL Listed for fire resistance in 1 – 2 hour (PT2FIT series) rated floors.
- UL Listed for fire resistance in 1 – 4 hour (PT73FFSD and PT7FFSD series) rated floors.
- Approved for use in the City of Chicago (PT2FIT series).

Wire Size (AWG)	Copper Cross Sectional Area for Solid or Stranded Conductors
#24	.00032 sq. in. (.206mm <sup>2</sup> )
#23	.00040 sq. in. (.258mm <sup>2</sup> )
#22	.00050 sq. in. (.322mm <sup>2</sup> )
#14	.00323 sq. in. (2.083mm <sup>2</sup> )
#12	.00512 sq. in. (3.303mm <sup>2</sup> )
#10	.00815 sq. in. (5.258mm <sup>2</sup> )
# 8	.01296 sq. in. (8.361mm <sup>2</sup> )

**UL Listed Wiring Capacity**

	PT2FIT Series	PT73FFSD Series	PT7FFSD Series
Fire Resistance Rating	2-Hrs. (D900)	4-Hrs. (D900)	4-Hrs. (D900)
Max. Copper Cross Section	2 in. EMT .0922 sq. in.	3/4 in. EMT .0470 sq. in.	1/2 in. Feed Through .0250 sq. in.

**UL Characteristics**

Listing	UL File Number	ULC File Number
Outlet Box	E31999	CEYYC
Fire Resistance	R8429	R8429

For use in 1, 1 1/2, or 2 hour rated unprotected reinforced floors or in 1 or 2 hour rated floors employing steel floor units and concrete topping (D900 Series designs).  
 UL Spacing Restrictions - Minimum of 2 ft. on center and not more than one unit per each 65 square feet of floor area in each span.

Note: The above product data pertains to both one-piece units and through-floor fittings.

When connection conduit sweeps to through-floor fittings, ensure compliance with NEC fill tables.

Dimensions in Inches (mm)