



Ratings Quick Reference Guide

Circuit-Lock® Switched Enclosures

Amp	Description	Phase	Poles	HP				Catalog Number
				120	240	480	600	
30	TYPE 1 Non-Metallic	3	3	3	7.5	15	20	HBL1389MQR
	TYPE 1 Non-Metallic	3	3	3	7.5	15	20	HBL1389MQ5
	TYPE 1 Non-Metallic	3	3	3	7.5	15	20	HBL1389MQR2
	NEMA 1 Aluminum	1	2	2	5	10	15	HBL1372D
	NEMA 1 Aluminum	3	3	3	7.5	15	20	HBL1379D
	NEMA 1 Non-Metallic	1	2	2	5	10	15	HBL1392D
	NEMA 1 Non-Metallic	3	3	3	7.5	15	20	HBL1389D
	NEMA 3/3R Non-Metallic	1	2	2	5	10	15	HBL13R22D
	NEMA 3/3R Non-Metallic	3	3	3	7.5	15	20	HBL13R23D
	NEMA 3R Die Cast Aluminum	1	2	2	5	10	15	HBL13R12D
	NEMA 3R Die Cast Aluminum	3	3	3	7.5	15	20	HBL13R13D
	NEMA 3R Aluminum	1	2	2	5	10	15	HBL13R92D
	NEMA 3R Aluminum	3	3	3	7.5	15	20	HBL13R89D
	IP69k TYPE 4X Labelless Non-Metallic	3	3	1	7.5	15	15	HBLDS3
	IP69k TYPE 4X Labelless Non-Metallic	3	3	1	7.5	15	15	HBLDS3AC
	IP69k TYPE 4X Labelless Non-Metallic	3	3	1	7.5	15	15	HBLDS3AC2
	IP69k TYPE 4X Labelless Non-Metallic	3	3	1	7.5	15	15	HBLDS3NK
	IP69k TYPE 4X Labelless Non-Metallic	3	3	1	7.5	15	15	HBLDS3ACNK
	IP69k TYPE 4X Labelless Non-Metallic	3	3	1	5	10	10	HBLDS33ACNK
	TYPE 4X Labelless Non-Metallic	3	3	1	7.5	15	15	HBLDS3MQR
TYPE 4X Labelless Non-Metallic	3	3	1	7.5	15	15	HBLDS3MQ5	
TYPE 4X Labelless Non-Metallic	3	3	1	7.5	15	15	HBLDS3MQR2	
IP69k TYPE 4X Stainless Steel	3	3	1	7.5	15	15	HBLDS3SS	
IP69k TYPE 4X Stainless Steel	3	3	1	7.5	15	15	HBLDS3SSAC	
IP69k TYPE 4X Stainless Steel	3	3	1	7.5	15	15	HBLDS3SSVFD	
TYPE 4X Stainless Steel	3	3	2	7.5	15	15	HBLDS3SSMQR	
TYPE 4X Stainless Steel	3	3	1	7.5	15	15	HBLDS3SSMQ5	
TYPE 4X Non-Metallic Fused Disconnect	3	3	1	7.5	15	20	FDS30	
NEMA 4X Stainless Steel	3	3	3	7.5	15	20	HBL13S33D	
NEMA 4X Non-Metallic	3	3	3	7.5	15	20	HBL13X33D	
60	NEMA 3R Aluminum	1	2	—	10	15	20	HBL16R92D
	NEMA 3R Aluminum	3	3	—	10	25	30	HBL16R93D
	IP69k TYPE 4X Non-Metallic	3	3	7.5	30	50	50	HBLDS6
	IP69k TYPE 4X Non-Metallic	3	3	7.5	30	50	50	HBLDS6AC
	IP69k TYPE 4X Stainless Steel	3	3	7.5	30	50	50	HBLDS6SS
	IP69k TYPE 4X Stainless Steel	3	3	7.5	30	50	50	HBLDS6SSAC
	TYPE 4X Non-Metallic Fused Disconnect	3	3	3	15	30	40	FDS60
	NEMA 4X Stainless Steel	3	3	—	10	25	30	HBL16S63D
NEMA 4X Non-Metallic	3	3	—	10	25	30	HBL16X63D	
100	IP69k TYPE 4X Non-Metallic	3	3	7.5	30	50	50	HBLDS10
	IP69k TYPE 4X Non-Metallic	3	3	7.5	30	50	50	HBLDS10AC
	IP69k TYPE 4X Stainless Steel	3	3	7.5	30	50	50	HBLDS10SS
	IP69k TYPE 4X Stainless Steel	3	3	7.5	30	50	50	HBLDS10SSAC



HBL1379D



HBL1389D



HBLDS3



HBL16R93D



HBL13S33D



FDS30



HBLDS3SS



HBLDS3SSR



HBLDS3MQR



HBLDS3MQ5

Circuit-Lock® Switches

Amp	Description	Phase	Poles	HP				Catalog Number
				120	240	480	600	
30	Toggle Switch	1	2	2	5	10	15	HBL7832D
	Short Toggle Switch	1	2	2	5	10	15	HBL7832DS
	Toggle Switch, Bulk Pack	1	2	2	5	10	15	HBL7832DX
	Toggle Switch	3	3	3	7.5	15	20	HBL7810D
	Short Toggle Switch	3	3	3	7.5	15	20	HBL7810DS
40	Toggle Switch	1	2	2	5	10	15	HBL7842D
	Toggle Switch	3	3	3	7.5	15	20	HBL7843D
50	Toggle Switch	1	2	2	5	10	15	HBL7852D
	Toggle Switch	3	3	3	7.5	15	25	HBL7853D
—	Finger guard (30–50A Switches)	—	—	—	—	—	—	HBLFG30
60	Toggle Switch	1	2	—	10	15	20	HBL7862D
	Toggle Switch	3	3	—	10	25	30	HBL7863D
	Toggle Switch – Front Wire	1	2	—	10	15	20	HBL7862FWD
	Toggle Switch – Front Wire	3	3	—	10	25	30	HBL7863FWD
85	Toggle Switch	1	2	—	10	15	20	HBL7882D
	Toggle Switch	3	3	—	10	25	40	HBL7883D



HBL7810D



HBL7853D



HBL7862D



HBL7863D

Switched Disconnects and Enclosures

Circuit-Lock® Unfused Disconnect Switches

"Suitable as Motor Disconnects"



Labelless Circuit-Lock® Unfused Disconnect Switches in Non-Metallic Enclosures*

Description	30 Amp	60 Amp	100 Amp
Labelless disconnect switch.	HBLDS3	HBLDS6	HBLDS10
Labelless disconnect switch for use with variable frequency drives.	HBLDS3VFD	HBLDS6VFD	HBLDS10VFD
Labelless disconnect switch with HBLAC1 auxiliary contact.	HBLDS3AC	HBLDS6AC	HBLDS10AC
Labelless disconnect switch with HBLAC2 auxiliary contact.	HBLDS3AC2	—	—
Labelless disconnect switch without conduit knockout or conduit fitting.	HBLDS3NK	—	—
Labelless disconnect switch with HBLAC1 auxiliary contact without conduit knockout or conduit fitting.	HBLDS3ACNK	—	—
Labelless disconnect switch with 3 auxiliary contacts, without conduit knockouts. Break before main break – 1 set "normally open", 1 set "normally closed". Break after main break – 2 sets "normally open", 1 set "normally closed".	HBLDS33ACNK	—	—



HBLDS3AC



HBLDS3SS



HBLDS3SSR

Circuit-Lock® Unfused Disconnect Switches in Stainless Steel Enclosures*

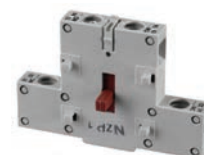
Description	30 Amp	60 Amp	100 Amp
Square Top disconnect switch.	HBLDS3SS	HBLDS6SS	HBLDS10SS
Square Top disconnect switch for use with variable frequency drives.	HBLDS3SSVFD	HBLDS6SSVFD	HBLDS10SSVFD
Square Top disconnect switch with HBLAC1 auxiliary contact.	HBLDS3SSAC	HBLDS6SSAC	HBLDS10SSAC
Sloped Top disconnect switch.	HBLDS3SSR	HBLDS6SSR	HBLDS10SSR
Sloped Top disconnect switch for use with variable frequency drives.	HBLDS3SSRVFD	HBLDS6SSRVFD	HBLDS10SSRVFD
Sloped Top disconnect switch with HBLAC1 auxiliary contact.	HBLDS3SSRAC	HBLDS6SSRAC	HBLDS10SSRAC

Auxiliary Contacts for 30, 60 and 100 Amp Switch, NEMA A600 Pilot Duty

Description	Catalog Number
"Break After Main Break", 1 set of n/o contacts, 1 set of n/c contacts.	HBLAC1**
"Break Before Main Break", 1 set of n/o contacts.	HBLAC2**

Note: *Certified by NSF, International.

**Up to two auxiliary contacts per enclosure. Not for use with HBLDS33ACNK.
30A Units are supplied with one 3/4 in. NPT Raintight conduit fitting.
60A and 100A Units are supplied with two 1 1/4 in. NPT Raintight conduit fittings.

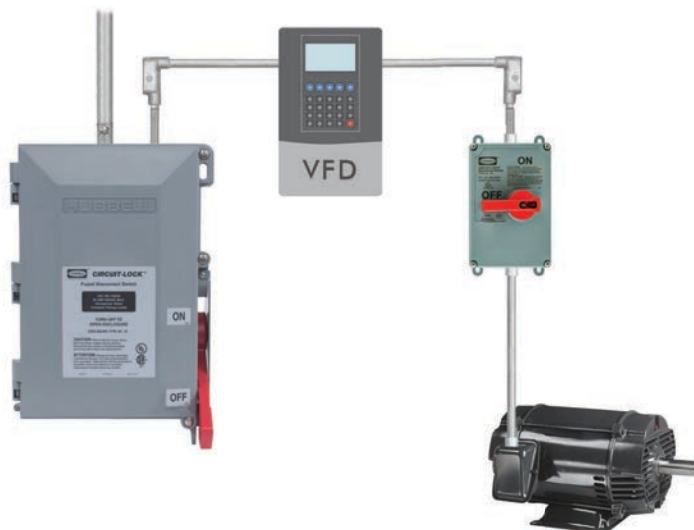


HBLAC1



HBLAC2

Variable Frequency Drive Diagram



Switched Disconnects and Enclosures Circuit-Lock® Unfused Disconnect Switches

Dimensions and Specifications



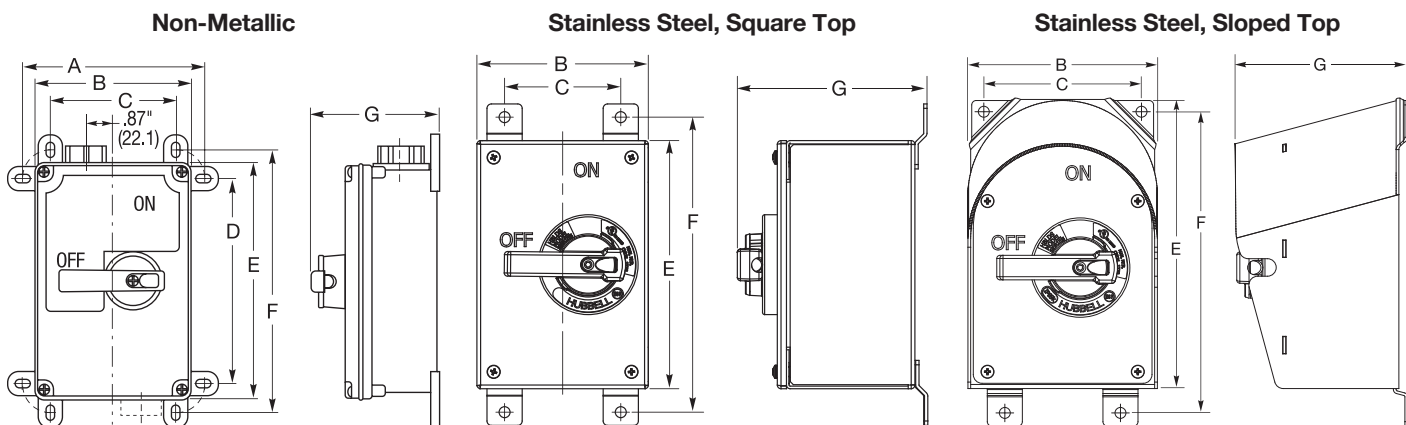
Dimensions

Key	Labelless Non-Metallic		Stainless Steel, Square Top		Stainless Steel, Sloped Top	
	30A inch (mm)	60A/100A inch (mm)	30A inch (mm)	60A/100A inch (mm)	30A inch (mm)	60A/100A inch (mm)
A	6.00 (152)	7.75 (197)	—	—	—	—
B	5.12 (130)	6.87 (175)	4.87 (124)	7.30 (185)	5.41 (137)	7.66 (195)
C	4.12 (105)	4.75 (121)	3.30 (84)	5.50 (140)	4.50 (114)	6.45 (164)
D	6.62 (168)	8.00 (203)	—	—	—	—
E	7.62 (194)	9.95 (253)	7.05 (179)	10.30 (262)	8.60 (218)	11.41 (290)
F	8.50 (216)	11.00 (279)	8.38 (213)	11.63 (296)	8.22 (209)	11.17 (284)
G	4.12 (105)	5.94 (151)	5.39 (137)	5.93 (151)	4.92 (125)	6.10 (155)

Horsepower Ratings

Voltage	30A	30A*	60A	100A
1Ø 120V AC	1	1	7.5	7.5
1Ø 200–240V AC	3	2.5	15	15
1Ø 480V AC	5	5	30	30
3Ø 200–240V AC	7.5	5	30	30
3Ø 480V AC	15	10	50	50
3Ø 600V AC	15	10	50	50

Note: *HBLDS33ACNK.



Circuit-Lock® Unfused Disconnect Switches

Specifications

Moisture Resistance

Indoor and Outdoor – Type 4X (Wash down, Corrosion resistant);
Indoor – 30, 60A and 100A Type 12 (Dust-tight, Falling Dirt, Noncorrosive Liquids).
UL94-5VA and V0 Classification.

Flammability

Maximum Continuous 75°C; Minimum Continuous -40°C without impact.

Operating Temperature

UV Resistance

All materials are UV stabilized.

Dielectric Voltage

Withstands 3000V AC minimum.

Max. Working Voltage

600V AC RMS.

Current Interrupting

Certified for current interrupting at full rated current and voltage.

Short Circuit Current Ratings (SCCR):
(Motor Disconnect)

- 30/60/100A: Suitable for use on a circuit capable of delivering not more than 10kA RMS symmetrical, 600V AC max.
- 30A: Suitable for use on a circuit capable of delivering not more than 65kA RMS symmetrical, 600V AC max. when protected by Class J fuses rated 30A max.
- 60/100A: Suitable for use on a circuit capable of delivering not more than 65kA RMS symmetrical, 600V AC max. when protected by Class J fuses rated 100A max.

Terminal Identification

In accordance with UL, CSA and international conventions.

Product Identification

Identification and ratings are part of external label.

Mounting

Non-Metallic - External fully adjustable feet. Stainless Steel - Feet are fixed.

Impact Resistance

In accordance with UL 746C.

Materials

Part	Non-Metallic	Stainless Steel
Base	Valox®	#14 Gauge Type 304 Stainless Steel
Top	Valox®	#14 Gauge Type 304 Stainless Steel
Handle	Valox®	Valox®
Conduit Hub	Zinc 30A Unfused - 3/4 in. Zinc 60/100A Unfused - 1 1/4 in.	Zinc 30A - 3/4 in. Zinc 60/100A - 1 1/4 in.
Enclosure Gasket	Neoprene	Neoprene
Shaft (Unfused)	Valox®	Valox®
Shaft Seal	Molded Neoprene	Molded Neoprene
Frame	Galvanized Steel	N/A
Enclosure Screws	Stainless Steel 300 Series	Stainless Steel

Valox® is a trademark of SABIC Innovative Plastics, acquired from General Electric Company.

Dimensions in Inches (mm)