

Choose the appropriate configuration from the Selector below.

### Hubbell Logic Configurator

For example, catalog number **MPMS2512** is derived as follows:

DEVICE TYPE	COUPLING NUT MATERIAL	BODY STYLE	KEY STYLE	POLES	CONDUCTOR TYPE	CABLE LENGTH (m)
<b>MC</b> = Plug, Female <b>MP</b> = Plug, Male <b>MI</b> = Plug, Male Inline <b>ME</b> = Male/Female Extension Cable	<b>M</b> = Metallic <b>N</b> = Nylon	<b>A</b> = Right Angle <b>S</b> = Straight	<b>2</b> = Dual	2 3 4 5 6	1 = #22 AWG PVC Cable 2 = #18 AWG TPE Cable*  *2 - 5 Pole Only	** 2 4 5  **Replace with Length
<b>MP</b>	<b>M</b>	<b>S</b>	<b>2</b>	<b>5</b>	<b>1</b>	<b>2</b>

Note: Availability of specific items may vary. Consult factory for delivery. Consult the factory for additional cable lengths or cable types.

### 2 - 6 Pole Dual Key Plugs

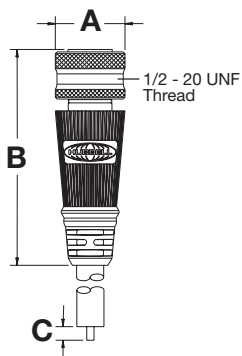
Catalog numbers using #22 AWG PVC cable are listed below. For #18 AWG TPE cable, change the conductor type per the Hubbell Logic chart above.

Poles	Male Face Shown Female - mirror image	Cable Length	Female Plugs		Male Plugs			Male/Female Extension Cables
			Straight	Right Angle	Straight	Right Angle	In-Line Straight	Straight
2		6.56 ft (2m) 13.12 ft (4m) 16.40 ft (5m) All other lengths▲	<b>MCMS2212</b>	<b>MCMA2212</b>	<b>MPMS2212</b>	<b>MPMA2212</b>	<b>MIMS2212</b>	<b>MEMS2212</b>
			<b>MCMS2214</b>	<b>MCMA2214</b>	<b>MPMS2214</b>	<b>MPMA2214</b>	<b>MIMS2214</b>	<b>MEMS2214</b>
			<b>MCMS2215</b>	<b>MCMA2215</b>	<b>MPMS2215</b>	<b>MPMA2215</b>	<b>MIMS2215</b>	<b>MEMS2215</b>
			<b>MCMS221**</b>	<b>MCMA221**</b>	<b>MPMS221**</b>	<b>MPMA221**</b>	<b>MIMS221**</b>	<b>MEMS221**</b>
3		6.56 ft (2m) 13.12 ft (4m) 16.40 ft (5m) All other lengths▲	<b>MCMS2312</b>	<b>MCMA2312</b>	<b>MPMS2312</b>	<b>MPMA2312</b>	<b>MIMS2312</b>	<b>MEMS2312</b>
			<b>MCMS2314</b>	<b>MCMA2314</b>	<b>MPMS2314</b>	<b>MPMA2314</b>	<b>MIMS2314</b>	<b>MEMS2314</b>
			<b>MCMS2315</b>	<b>MCMA2315</b>	<b>MPMS2315</b>	<b>MPMA2315</b>	<b>MIMS2315</b>	<b>MEMS2315</b>
			<b>MCMS231**</b>	<b>MCMA231**</b>	<b>MPMS231**</b>	<b>MPMA231**</b>	<b>MIMS231**</b>	<b>MEMS231**</b>
4		6.56 ft (2m) 13.12 ft (4m) 16.40 ft (5m) All other lengths▲	<b>MCMS2412</b>	<b>MCMA2412</b>	<b>MPMS2412</b>	<b>MPMA2412</b>	<b>MIMS2412</b>	<b>MEMS2412</b>
			<b>MCMS2414</b>	<b>MCMA2414</b>	<b>MPMS2414</b>	<b>MPMA2414</b>	<b>MIMS2414</b>	<b>MEMS2414</b>
			<b>MCMS2415</b>	<b>MCMA2415</b>	<b>MPMS2415</b>	<b>MPMA2415</b>	<b>MIMS2415</b>	<b>MEMS2415</b>
			<b>MCMS241**</b>	<b>MCMA241**</b>	<b>MPMS241**</b>	<b>MPMA241**</b>	<b>MIMS241**</b>	<b>MEMS241**</b>
5		6.56 ft (2m) 13.12 ft (4m) 16.40 ft (5m) All other lengths▲	<b>MCMS2512</b>	<b>MCMA2512</b>	<b>MPMS2512</b>	<b>MPMA2512</b>	<b>MIMS2512</b>	<b>MEMS2512</b>
			<b>MCMS2514</b>	<b>MCMA2514</b>	<b>MPMS2514</b>	<b>MPMA2514</b>	<b>MIMS2514</b>	<b>MEMS2514</b>
			<b>MCMS2515</b>	<b>MCMA2515</b>	<b>MPMS2515</b>	<b>MPMA2515</b>	<b>MIMS2515</b>	<b>MEMS2515</b>
			<b>MCMS251**</b>	<b>MCMA251**</b>	<b>MPMS251**</b>	<b>MPMA251**</b>	<b>MIMS251**</b>	<b>MEMS251**</b>
6		6.56 ft (2m) 13.12 ft (4m) 16.40 ft (5m) All other lengths▲	<b>MCMS2612</b>	<b>MCMA2612</b>	<b>MPMS2612</b>	<b>MPMA2612</b>	<b>MIMS2612</b>	<b>MEMS2612</b>
			<b>MCMS2614</b>	<b>MCMA2614</b>	<b>MPMS2614</b>	<b>MPMA2614</b>	<b>MIMS2614</b>	<b>MEMS2614</b>
			<b>MCMS2615</b>	<b>MCMA2615</b>	<b>MPMS2615</b>	<b>MPMA2615</b>	<b>MIMS2615</b>	<b>MEMS2615</b>
			<b>MCMS261**</b>	<b>MCMA261**</b>	<b>MPMS261**</b>	<b>MPMA261**</b>	<b>MIMS261**</b>	<b>MEMS261**</b>

Note: ▲ Replace \*\* with length required in meters. For nylon coupling nuts, replace "M" with "N" per the ordering chart above.  
Example: change **MCMS2314** to **MCNS2314**.

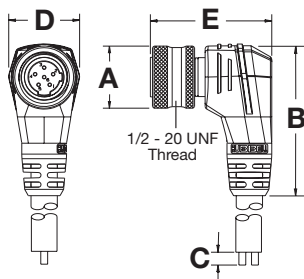


### Straight Plug



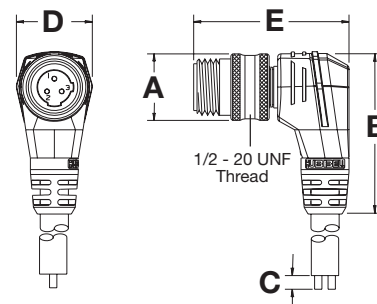
	MALE	FEMALE
<b>A</b>	0.59" (15.0)	0.59" (15.0)
<b>B</b>	1.83" (46.5)	1.83" (46.5)
<b>C</b>	2.75" (69.9)	2.75" (69.9)

### Right Angle Plug



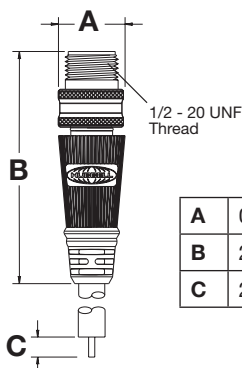
	MALE	FEMALE
<b>A</b>	0.59" (15.0)	0.59" (15.0)
<b>B</b>	1.44" (36.6)	1.44" (36.6)
<b>C</b>	2.75" (69.9)	2.75" (69.9)
<b>D</b>	0.67" (17.0)	0.67" (17.0)
<b>E</b>	1.15" (29.2)	1.15" (29.2)

### Right Angle Male In-Line Plug



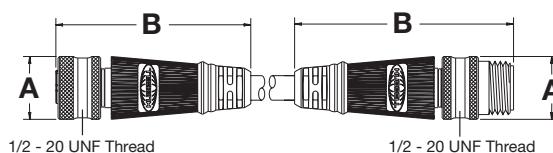
	MALE	FEMALE
<b>A</b>	0.59" (15.0)	0.59" (15.0)
<b>B</b>	1.44" (36.6)	1.44" (36.6)
<b>C</b>	2.75" (69.9)	2.75" (69.9)
<b>D</b>	0.67" (17.0)	0.67" (17.0)
<b>E</b>	1.38" (35.1)	1.38" (35.1)

### Male In-Line Plug



<b>A</b>	0.59" (15.0)
<b>B</b>	2.06" (52.3)
<b>C</b>	2.75" (69.9)

### Extension Cable



	MALE	FEMALE
<b>A</b>	0.59" (15.0)	0.59" (15.0)
<b>B</b>	2.06" (52.3)	1.83" (46.5)

### Conductor Color Code - Dual Key

Contact Number	2 Pole	3 Pole	4 Pole	5 Pole	6 Pole
1	Brown	Green	Red/Black	Red/White	Red/White
2	Blue	Red/Black	Red/White	Red	Red
3		Red/White	Red	Green	Green
4			Green	Red/Yellow	Red/Yellow
5				Red/Black	Red/Black
6					Red/Blue

### Cable Diameters By Cable Type

Number of Conductors	#22 AWG	
	PVC	TPE
2	0.20" (5.1)	0.23" (5.8)
3	0.21" (5.3)	0.24" (6.09)
4	0.22" (5.7)	0.26" (6.6)
5	0.26" (6.7)	0.28" (7.1)
6	0.26" (6.5)	-

### Accessories

#### Dust Caps

Closure caps protect plugs and receptacles when not in use. Key style is for dual with thread of 1/2"-20 UNF.

Catalog Number	
<b>MRCM2</b>	
<b>MPCM2</b>	

Dimensions in Inches (mm)