

Marine Products

Ship-to-Shore Selection Chart - Dockside



YC310250 - 280' (85.3m) Yellow cable only.
WC310280 - 280' (85.3m) White cable only.

HBL61CM08 & HBL61CM08LED - 50' (15.2m)
HBL61CM05 & HBL61CM05LED - 35' (10.7m)
HBL61CM03 & HBL61CM03LED - 25' (7.6m)
HBL61CM08W & HBL61CM08WLED - 50' (15.2m)
HBL61CM03W & HBL61CM03WLED - 25' (7.6m)



HBL60CM31
HBL60CM31W



HBL26CM11



HBL26CM10



HBL74CM25WOA
HBL74CM25WOAW



YC306250 - 250' (76.2m) Yellow cable only.

HBL61CM53 & HBL61CM53LED - 50' (15.2m)
HBL61CM53W & HBL61CM53WLED - 50' (15.2m)
HBL61CM43 & HBL61CM43LED - 25' (7.6m)



HBL77CM16
HBL77CM16W



HBL63CM61



HBL63CM70



HBL77CM74WO



YC406250 - 250' (76.2m) Yellow cable only.

HBL61CM52 & HBL61CM52LED - 50' (15.2m)
HBL61CM42 & HBL61CM42LED - 25' (7.6m)
HBL61CM52W & HBL61CM52WLED - 50' (15.2m)
HBL61CM42W & HBL61CM42WLED - 25' (7.6m)



HBL77CM16
HBL77CM16W



HBL63CM65



HBL63CM69



HBL77CM74WO



CS1004 - 100' (30.4m) 4-Wire
CS754 - 75' (22.8m) 4-Wire
CS100IT4 - 100' (30.4m) 3-Wire
CS754IT4 - 75' (22.8m) 3-Wire

CW125IT4 - 125' (38.0m) One-ended cable set for winches.
CW100IT4 - 100' (30.4m) One-ended cable set for winches.
CW754 - 75' (22.8m) One-ended cable set for winches.
CS50EXT4 - 50' (15.2m) Extension cord.



M4100P12



M4100C12



M4100R12



CS100IT5 - 100' (30.4m) 4-Wire
CS75IT5 - 75' (22.8m) 4-Wire

CW125IT5 - 125' (38.0m) One-ended cable set for winches.
CW100IT5 - 100' (30.4m) One-ended cable set for winches.
CS50EXT5 - 50' (15.2m) Extension cord.



M5100P9
M5100P7



M5100C9
M5100C7



M5100R9
M5100R7



M5200PS1



M5200CS1



M5200RS1



PH6630 - 250' (76.2m) Yellow cable only.
PH6599 - 50' (15.2m)
PH6598 - 25' (7.6m)
PH6599W - 50' (15.2m)
PH6598W - 25' (7.6m)



75 Ohm TV Cable.
TV99 - 50' (15.2m)
TV98 - 25' (7.6m)
TV99W - 50' (15.2m)
TV98W - 25' (7.6m)



PH7440



PH6625



PH6596



TV97



PH6597TV

Ship-to-Shore Devices



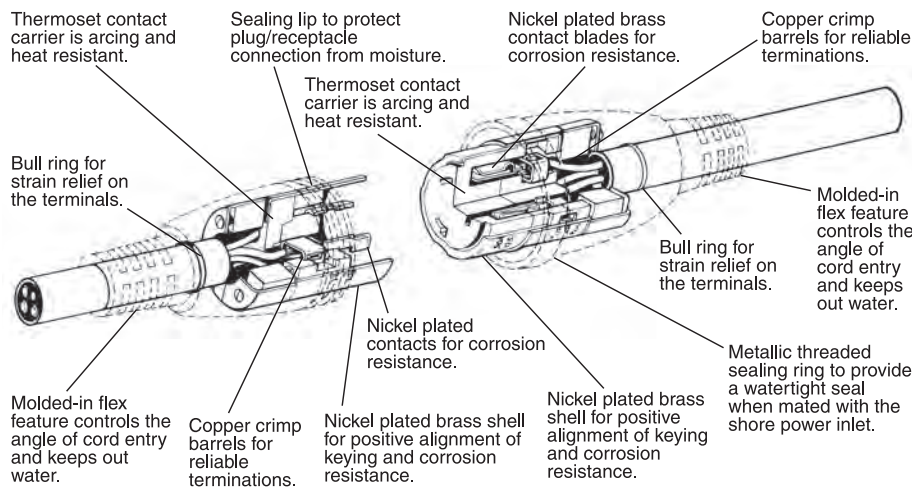
50A 125V Ship-to-Shore Devices

Description	Catalog Number
Yellow 50 ft. (15.2m) vinyl jacketed shore power cable set. #6 AWG type STOW is completely factory pre-wired with molded-on devices. Connector end has threaded metallic sealing ring to make inlet/connector interface watertight. IP54 SUITABILITY (boatside).	HBL61CM53
Same as HBL61CM53 except with two high intensity LEDs.	HBL61CM53LED*
Same as HBL61CM53 except white.	HBL61CM53W
Same as HBL61CM53W except with two high intensity LEDs.	HBL61CM53WLED*
Same as HBL61CM53 except 25 ft. (7.6m) in length.	HBL61CM43
Same as HBL61CM43 except with two high intensity LEDs.	HBL61CM43LED*
Three conductor, #6 AWG type STOW, yellow PVC jacketed portable cord with jute fillers for added flexibility. Ideal for making cable sets, extension cords, and adapters will not mark boat's deck. 250 ft. (75.2m) lengths only.	YC306250
Nickel plated brass plug has heat resistant thermoset interior and combination metal and rubber cord grip, provides superior strain relief capability. Cord grip range is .44-1.14 in. (11.1-29.0). IP20 SUITABILITY.	HBL63CM61
Yellow Seal-Tite® cover for weatherproofing 50A plugs. IP55 SUITABILITY.	HBL77CM16+
White Seal-Tite cover for weatherproofing 50A plugs. IP55 SUITABILITY.	HBL77CM16W+
Single receptacle has a heat-resistant thermoset base. IP20 SUITABILITY.	HBL63CM70
Yellow Valox® lift cover for weatherproofing 50A receptacles. Meets requirements of the most stringent of UL's three listing categories for weatherproof plates. Stainless steel screws and a neoprene gasket included. For mounting to FS/FD type weatherproof boxes. IP44 SUITABILITY.	HBL77CM74WO
Same as HBL77CM74WO except gray in color. IP44 SUITABILITY.	HBL7774WO
Stainless steel wall plate for 50A receptacle.	SS750

Note: *See page Y-16 for features and benefits.
 +Boots are not UL Listed.



50A Molded Cable Sets



Valox® is a trademark of SABIC Innovative Plastics, acquired from General Electric Company.

HBL63CM70

HBL77CM74WO

SS750