

Switched Disconnects and Enclosures

Circuit-Lock® NEMA 3 and 3R Enclosures with Switch

Ideal for use on outdoor equipment.

Amp	Poles	Enclosure Material	Water Ingress	HP Rating				Catalog Number
				120V AC 1Ø	240V AC 3Ø	480V AC 3Ø	600V AC 3Ø	
30	2	Thermoplastic	3	2	5	10	15	HBL13R22D
30	3	Thermoplastic	3	3	7.5	15	20	HBL13R23D
30	2	Aluminum	3/3R	2	5	10	15	HBL13R12D†
30	3	Aluminum	3/3R	3	7.5	15	20	HBL13R13D†

Note: See page F-21 for technical information.

*Drill weephole to alter from NEMA 3 to NEMA 3R.

†Equipped with HBLFG30 sidewall insulation barriers.

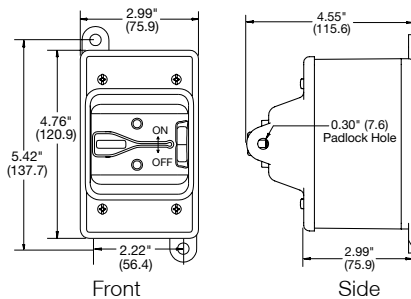


HBL13R23D

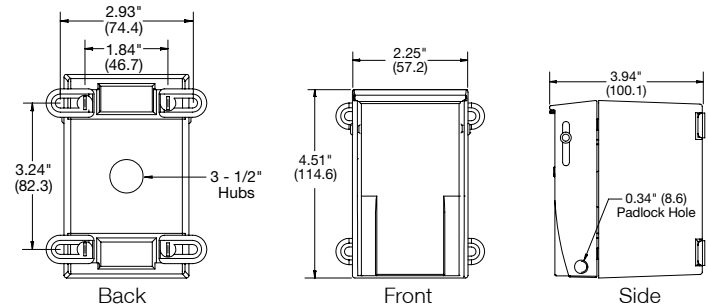
HBL13R13D

Dimensions

HBL13R22D and HBL13R23D



HBL13R12D and HBL13R13D



Circuit-Lock® NEMA 3R Enclosures with Switch

Ideal for use in outdoor environments.

Amp	Poles	Enclosure Material	HP Rating				Catalog Number
			120V AC 1Ø	240V AC 3Ø	480V AC 3Ø	600V AC 3Ø	
30	2	Aluminum	2	5	10	15	HBL13R92D
30	3	Aluminum	3	7.5	15	20	HBL13R89D
60	2	Aluminum	—	10	15	20	HBL16R92D
60	3	Aluminum	—	10	25	30	HBL16R93D

Note: For switch specifications refer to page F-21.



HBL13R89D

HBL16R93D

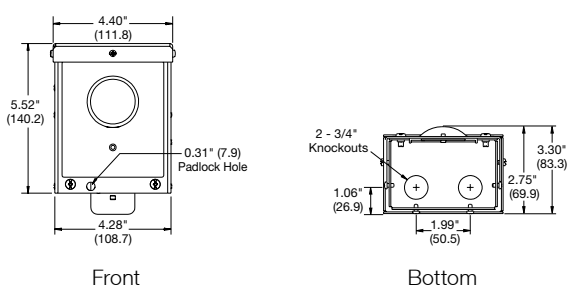
Circuit-Lock® NEMA 3R Enclosures without Switch

For use with switches shown on page F-21.

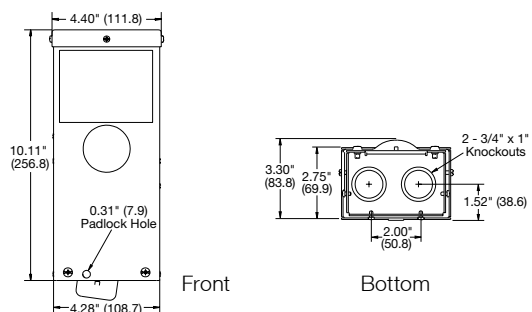
Description	Enclosure Material	Catalog Number
For use with 30A switch.	Aluminum	HBL13R90
For use with 60A switch.	Aluminum	HBL16R90

Dimensions

HBL13R90, HBL13R89D and HBL13R92D



HBL16R90, HBL16R92D and HBL16R93D



Dimensions in Inches (mm)

Switched Disconnects and Enclosures

IP44*
SUITABILITY

40A 600V AC Manual Motor Controllers

Description	Catalog Number
40A, double pole, single throw, AC manual motor controller, black nylon handle, side wired.	HBL7842D
40A, three pole, single throw, AC manual motor controller, black nylon handle, side wired.	HBL7843D

Note: See page F-21 for technical information.

50A 600V AC Manual Motor Controllers

Description	Catalog Number
50A, double pole, single throw, AC manual motor controller, black nylon handle, side wired.	HBL7852D
50A, three pole, single throw, AC manual motor controller, black nylon handle, side wired.	HBL7853D

Note: See page F-21 for technical information.

60A 600V AC Manual Motor Controllers

Description	Catalog Number
60A, double pole, single throw, AC manual motor controller, black nylon handle, back wired.	HBL7862D
Same as HBL7862D except front wired.	HBL7862FWD
HBL7862FWD in Type 3R enclosure.	HBL16R92D
60A, three pole, single throw, AC manual motor controller, black nylon handle, back wired.	HBL7863D
Same as HBL7863D except front wired.	HBL7863FWD
HBL7863FWD in a Type 3R enclosure.	HBL16R93D
60A, 600V, three pole, rotary controller in NEMA 4X stainless steel enclosure.	HBL16S63D
60A, 600V, three pole, rotary controller in NEMA 4X non-metallic enclosure.	HBL16X63D

Note: See page F-21 for technical information.

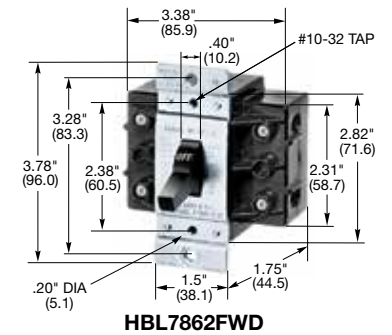
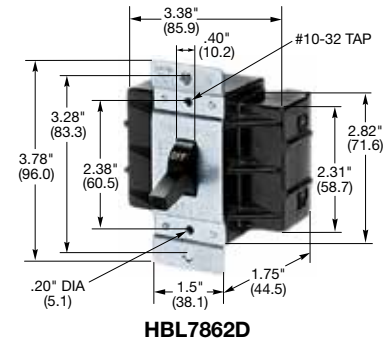
85A 600V AC Manual Motor Controllers

Description	Catalog Number
85A, double pole, single throw, AC manual motor controller, black nylon handle, back wired.	HBL7882D
85A, three pole, single throw, AC manual motor controller, black nylon handle, back wired.	HBL7883D

Note: See page F-21 for technical information.

Motor Controller Accessories

Description	Catalog Number
Finger Guards, fit 30A, 40A and 50A controllers.	HBLFG30
Auxiliary Contacts, NO/Common/NC, for use in rotary switches only.	HBLAUX



Dimensions in Inches (mm)