

Small Hinged Cover Enclosures with Knockouts

NEMA 3R

Commercial Enclosures



Panel
Sold
Separately



Application

- Designed for use as a wiring/junction box.
- Provides protection against rain, sleet, snow and dripping water.

Standards

- UL-50 Type 3R
- CSA Type 3R
- **Complies with**
 - NEMA Type 3R
 - IEC 60529, IP24

Construction

- Formed and spot welded from 16 gauge galvanized steel.
- Drip-shield top and seam-free sides, front and back.
- Galvanized steel hinge has stainless steel pin.
- Provisions for padlocking on zinc-plated draw pull catch.
- Easily removed knockouts on bottom of enclosure.
- Panel studs provided for mounting optional panels.
- External mounting feet.
- Oil resistant gaskets are permanently secured.

Finish

- Enclosure and cover are finished in ANSI 61 gray powder coating.

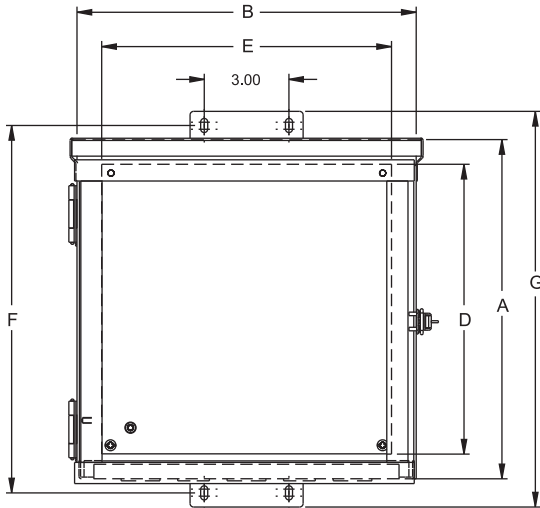
Accessories

- Inner Panel...see next page

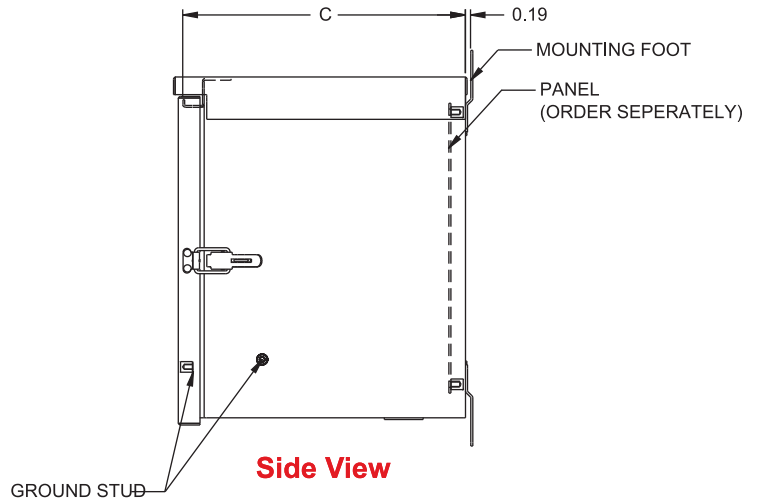
Small Hinged Cover Enclosures with Knockouts

NEMA 3R

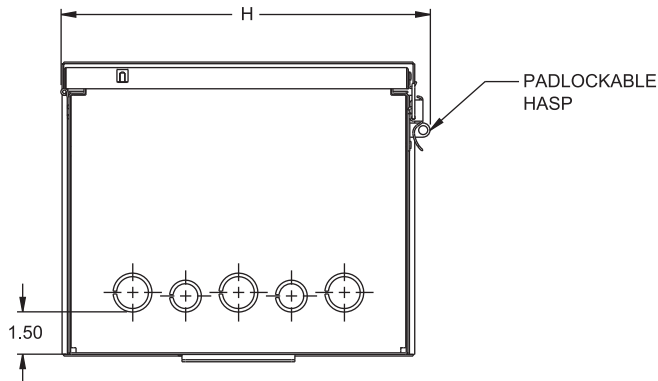
Commercial Enclosures



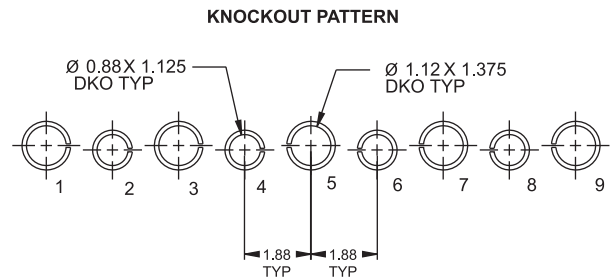
Front View - Cover Removed



Side View



Bottom View



Part No.	Optional Panel Part Number	Panel Size					Mounting F	Overall Dimensions			Knockout Pattern	Shipping Wt. lbs
		A	B	C	D	E		G	H			
C3R644HCR	N1JP64	6	4	4	4.25	2.25	7.00	8.00	5.10	2-3-4	3	
C3R664HCR	N1JP66	6	6	4	4.25	4.25	7.00	8.00	7.10	2-3-4	5	
C3R864HCR	N1JP86	8	6	4	6.25	4.25	9.00	10.00	7.10	2-3-4	6	
C3R886HCR	N1JP88	8	8	6	6.25	6.25	9.00	10.00	9.10	6-7-8-9	8	
C3R1086HCR	N1JP108	10	8	6	8.25	6.25	11.00	12.00	9.10	6-7-8-9	9	
C3R12106HCR	N1JP1210	12	10	6	10.25	8.25	13.00	14.00	11.10	3-4-5-6-7	11	
C3R12126HCR	N1JP1212	12	12	6	10.25	10.25	13.00	14.00	13.10	3-4-5-6-7	13	
C3R121210HCR	N1JP1212	12	12	10	10.25	10.25	13.00	14.00	13.10	3-4-5-6-7	20	

Technical references and CAD downloads available at www.hammondmfg.com

All dimensions in inches unless specified otherwise

Quality Products. Service Excellence.