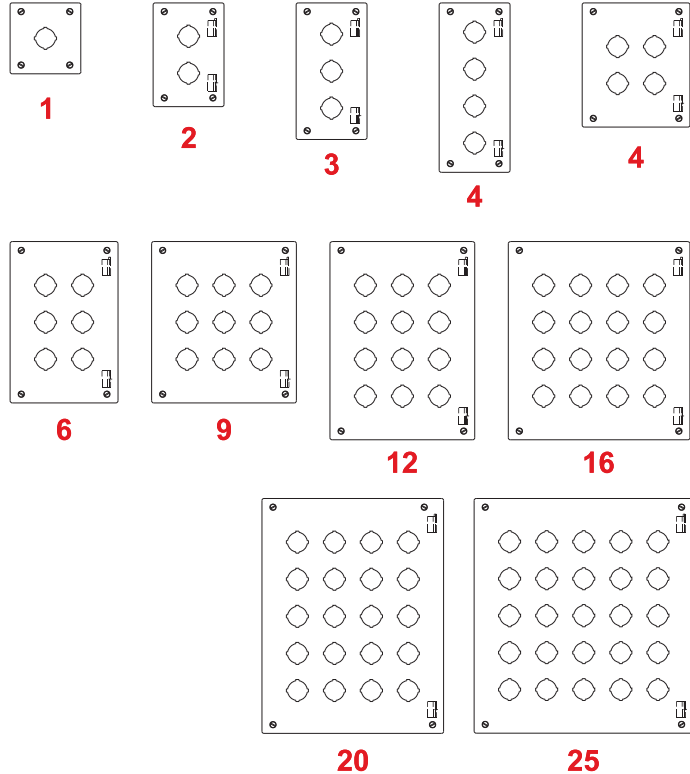


# Pushbutton Enclosures - NEMA 12, 13

## 1437/ 1437M Extra Deep Series

Operator Interface Enclosure



### Application

- Designed to accept standard heavy duty oil tight pushbuttons, switches and pilot lights.
- Provides protection from dirt, dust, oil and water.

### Standards

- UL 508 Type 12 and 13
- CSA Enclosure 12 and 13
- **Complies with**
  - NEMA Type 12 and 13
  - IEC 60529, IP54
  - JIC STD EGP-1-1967
- Appropriate components are required to maintain these standards.

### Construction

- Formed from 14 gauge steel except A which is 16 gauge.
- Smooth continuously welded seams.
- Welded brackets provide for enclosure mounting.
- Captive cover screws fasten into threaded, sealed wells.
- Larger enclosures provide internally hinged removable covers, designed to hold the cover open during wiring (see table).
- Oil resistant gasket and adhesive.
- A bonding stud is provided on the door and a grounding stud is provided on the enclosure.

### Finish

- Cover and enclosure are phosphatized and finished in ANSI 61 gray powder coating.

### Accessories

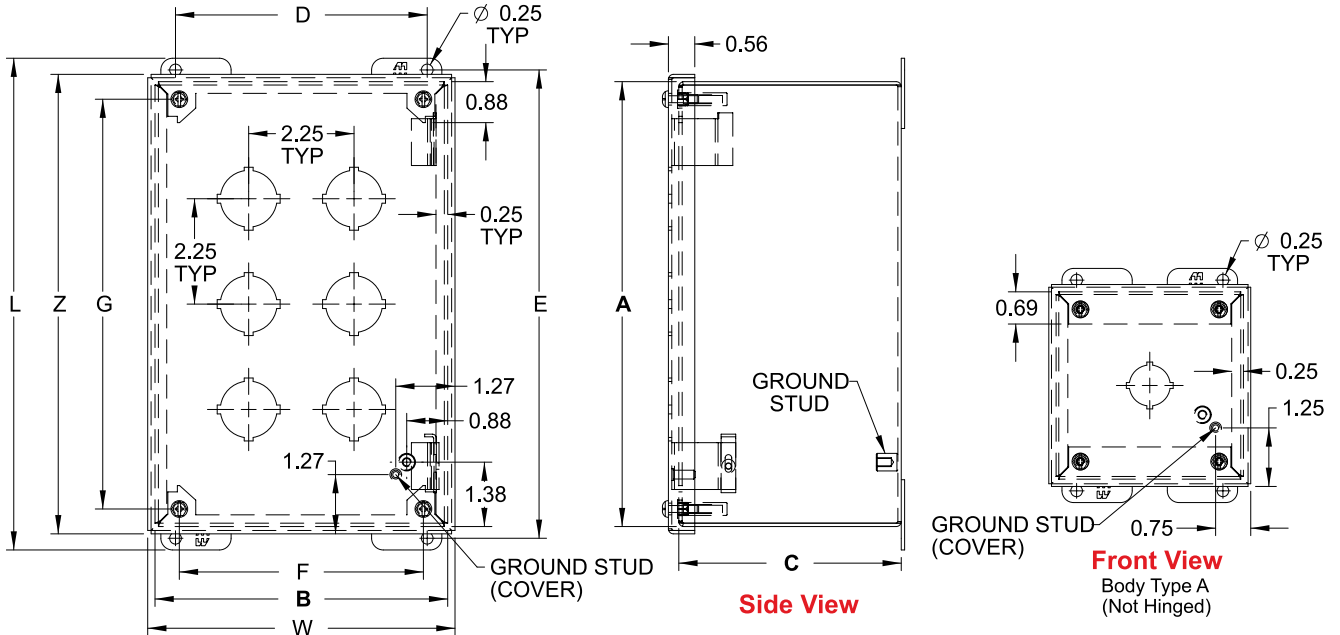
- Hole plugs...see page [435](#)
- Pedestals...see page [454](#)

Pushbutton Enclosures

# Pushbutton Enclosures - NEMA 12, 13

## 1437/ 1437M Extra Deep Series

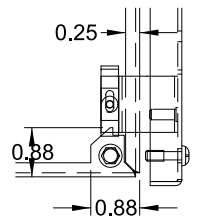
Operator Interface Enclosure



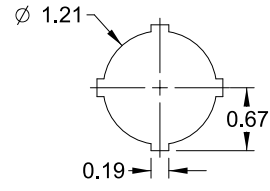
**Front View**  
Body Type B through X  
(Hinged)

**Side View**

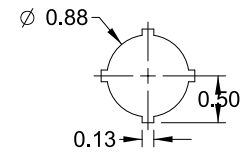
**Front View**  
Body Type A  
(Not Hinged)



**Hinge Detail**  
Retractable pin allows door to be mounted on left or right side



**30.5mm Detail**  
(1437 Series)



**22.5mm Detail**  
(1437M Series)

Pushbutton Enclosures

Part No.		No. Of Holes	Overall Dimensions										Ship Wt. lbs.
30.5mm	22.5mm		A	B	C	D	E	F	G	L	W	Z	
1437A <sup>1</sup>	1437MA <sup>1</sup>	1	4.00	4.00	4.75	3.13	4.50	2.96	3.25	5.00	4.31	4.31	3
1437B	1437MB	2	6.00	4.00	4.75	3.13	6.50	2.96	5.25	7.00	4.31	6.31	4
1437C	1437MC	3	8.00	4.00	4.75	3.13	8.50	2.96	7.25	9.00	4.31	8.31	5
1437D	1437MD	4	10.00	4.00	4.75	3.13	10.5	2.96	9.25	11.00	4.31	10.31	5
1437F	1437MF	4	7.25	6.25	4.75	5.38	7.75	5.21	6.50	8.25	6.56	7.56	5
1437H	1437MH	6	9.50	6.25	4.75	5.38	10.00	5.21	8.75	10.50	6.56	9.81	5
1437K	1437MK	9	9.50	8.50	4.75	7.63	10.00	7.46	8.75	10.50	8.81	9.81	7
1437O	1437MO	12	11.75	8.50	4.75	7.63	12.25	7.46	11.00	12.75	8.81	12.06	8
1437S	1437MS	16	11.75	10.75	4.75	9.88	12.25	9.71	11.00	12.75	11.06	12.06	9
1437V	1437MV	20	14.00	10.75	4.75	9.88	14.50	9.71	13.25	15.00	11.06	14.31	11
1437X	1437MX	25	14.00	13.00	4.75	12.13	14.50	11.96	13.25	15.00	13.31	14.31	12

<sup>1</sup> Not Hinged