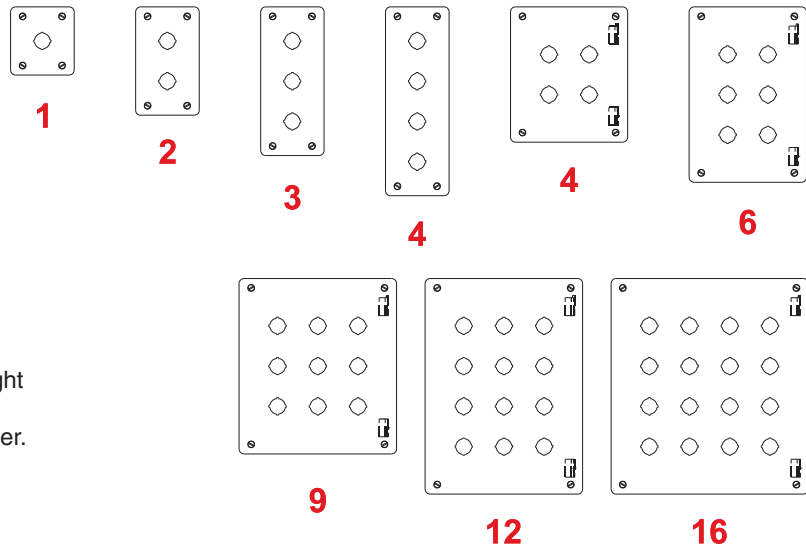


Pushbutton Enclosures - NEMA 12, 13

1435/1435M Series

Operator Interface Enclosure



Application

- Designed to accept standard heavy duty oil tight pushbuttons, switches and pilot lights.
- Provides protection from dirt, dust, oil and water.

Standards

- UL 508 Type 12 and 13
- CSA Type 12 and 13
- **Complies with**
 - NEMA Type 12 and 13
 - JIC standard EGP-1-1967
 - IEC 60529, IP54
- Appropriate components are required to maintain these standards.

Construction

- Formed 14 gauge steel except A and B which are 16 gauge.
- Smooth continuously welded seams.
- Welded brackets provide for enclosure mounting.
- Captive cover screws thread into sealed wells.
- Larger enclosures provide internally hinged removable covers, designed to hold the cover open during wiring (see table).
- Oil resistant gasket and adhesive.
- A bonding stud is provided on the door and a grounding stud is provided on the enclosure.

Finish

- Cover and enclosure are phosphatized and finished in ANSI 61 gray powder coating.

Accessories

- Hole plugs...see page [435](#)
- Pedestals...see page [454](#)

Technical references and CAD downloads available at www.hammondmfg.com

All dimensions in inches unless specified otherwise

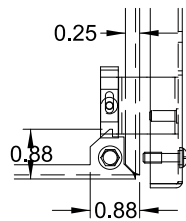
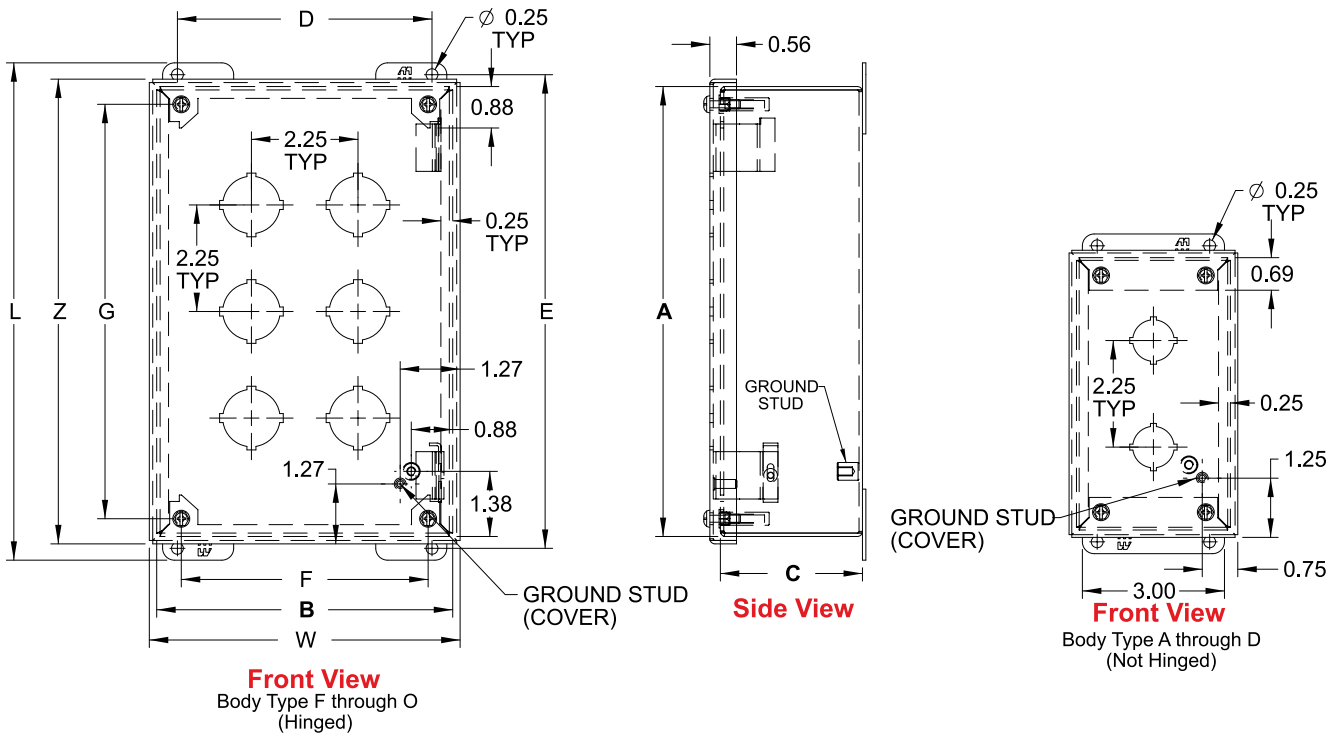
Pushbutton Enclosures

Pushbutton Enclosures - NEMA 12, 13

1435/1435M Series

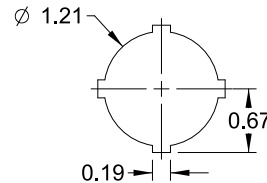
Operator Interface Enclosure

Pushbutton Enclosures

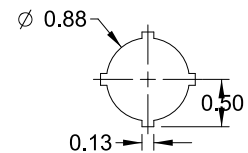


Hinge Detail

Retractable pin allows door to be mounted on left or right side



30.5mm Detail
(1435 Series)



22.5mm Detail
(1435M Series)

Part No.		No. of Holes	Overall Dimensions											Ship Wt. lbs.
30.5mm	22.5mm		A	B	C	D	E	F	G	L	W	Z		
1435A ¹	1435MA ¹	1	3.50	3.25	2.75	2.38	4.00	2.21	2.75	4.50	3.56	3.81	2	
1435B ¹	1435MB ¹	2	5.75	3.25	2.75	2.38	6.25	2.21	5.00	6.75	3.56	6.06	3	
1435C ¹	1435MC ¹	3	8.00	3.25	2.75	2.38	8.50	2.21	7.25	9.00	3.56	8.31	3	
1435D ¹	1435MD ¹	4	10.25	3.25	2.75	2.38	10.75	2.21	9.50	11.25	3.56	10.56	4	
1435F	1435MF	4	7.25	6.25	3.00	5.38	7.75	5.21	6.50	8.25	6.56	7.56	5	
1435H	1435MH	6	9.50	6.25	3.00	5.38	10.00	5.21	8.75	10.50	6.56	9.81	6	
1435K	1435MK	9	9.50	8.50	3.00	7.63	10.00	7.46	8.75	10.50	8.81	9.81	7	
1435O	1435MO	12	11.75	8.50	3.00	7.63	12.25	7.46	11.00	12.75	8.81	12.06	8	
1435S	1435MS	16	11.75	10.75	3.00	9.88	12.25	9.71	11.00	12.75	11.06	12.06	10	

¹ Not Hinged

Technical references and CAD downloads available at www.hammondmfg.com

All dimensions in inches unless specified otherwise

Quality Products. Service Excellence.