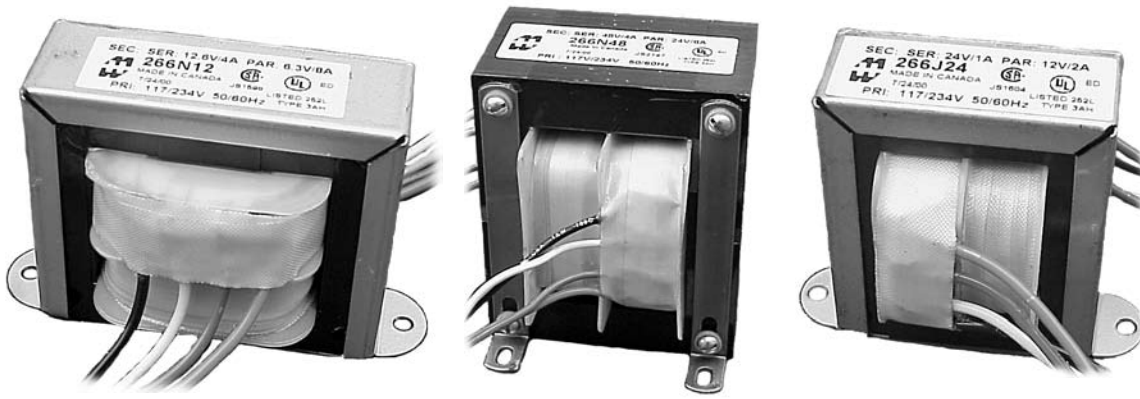


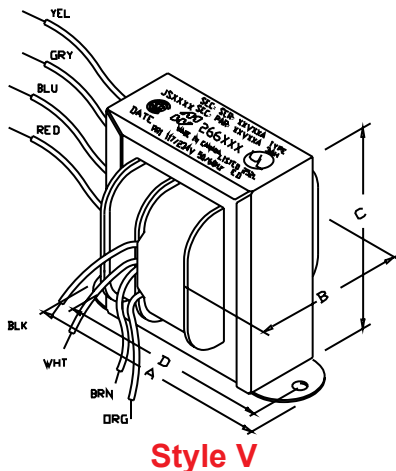
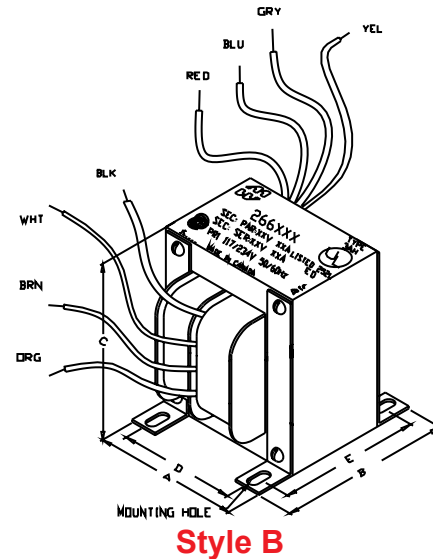
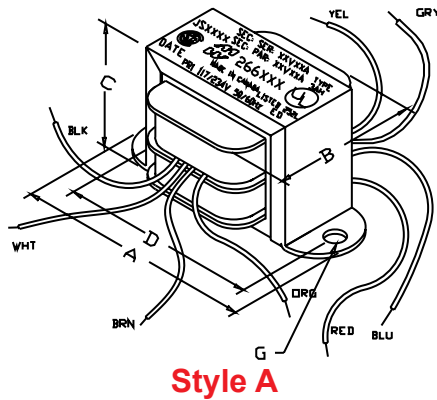
Filament & L.V. Rectifier Use - Dual Primary (266 Series)

Power

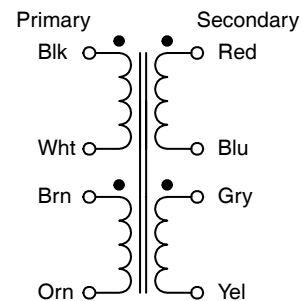


OPEN STYLE DUAL PRIMARY & DUAL SECONDARY FILAMENT & L.V. RECTIFIER USE TRANSFORMERS

- Dual Primary 117/234 VAC, 50/60 Hz.
- All units also have dual secondaries.
- Secondaries can be used as a center tapped secondary, parallel connected or used individually.
- Open style with minimum 6" long leads.
- Dual bobbin design - no electrostatic shield required.
- We use Class B insulation (130 degrees, C) for extra protection - UL listed as a Class A (105 degree, C) design
- Hi-Pot test of 2,000V RMS.
- UL listed (#E50394) Type 3AH
- CSA certified (#LR3902)



Transformer Schematic



EUROPE
Basingstoke, UK 01256 812812

AUSTRALIA
Queenstown, Australia 61-8-8240-2244

www.hammondmfg.com



CANADA
Guelph, Ontario (519) 822-2960
St. Laurent, Quebec (514) 343-9010
USA
Cheektowaga, NY (716) 630-7030

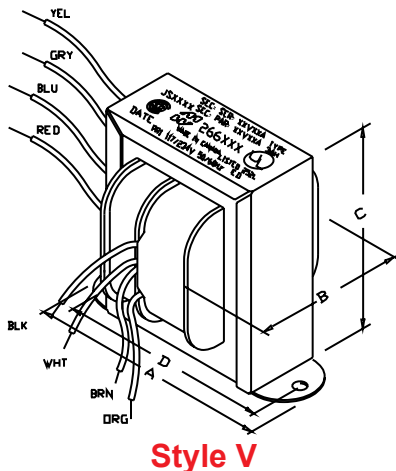
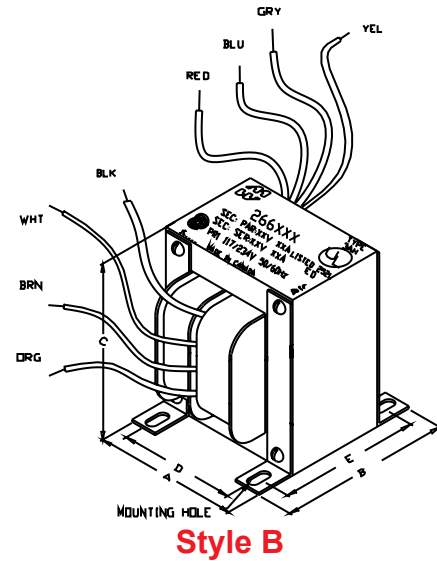
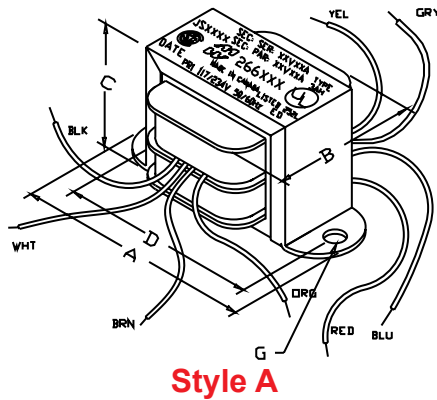


Filament & L.V. Rectifier Use - Dual Primary (266 Series)

Dual Primary 117/234 VAC - 50/60 Hz.

Power

Part No.	Size (VA)	Secondary VAC (RMS)		Mtg. Style	Dimensions (Inches)					Mtg. Hole	Weight lbs.
		Series (C.T.)	Parallel		A	B	C	D	E		
266PA24	144	24V @ 6A	12V @ 12A	B	3.13	3.75	3.81	2.50	2.88	.203 x .375	6.00
266R24	192	24V @ 8A	12V @ 16A	B	3.44	3.56	4.13	2.94	3.00	.203 x .375	8.60
266S24	240	24V @ 10A	12V @ 20A	B	3.44	3.60	4.30	2.75	3.00	.203 x .375	8.60
266J25	25.2	25.2V @ 1A	12.6V @ 2A	A	3.25	2.06	2.00	2.81	-	0.187	1.25
266L25	50.4	25.2V @ 2A	12.6V @ 4A	A	4.00	2.25	2.62	3.56	-	0.187	2.69
266LH25	70.56	25.2V @ 2.8A	12.6V @ 5.6A	A	4.00	2.25	2.62	3.56	-	0.187	2.63
266M25	75	25V @ 3A	12.5V @ 6A	A	4.50	2.50	2.90	4.00	-	0.187	3.25
266J26	26.5	26.8V @ 1A	13.4V @ 2A	A	3.25	2.06	2.00	2.81	-	0.187	1.30
266L28	56	28V @ 2A	14V @ 4A	B	2.50	2.50	3.06	2.00	2.25	.203 x .375	2.75
266K35	52.5	35V @ 1.5A	17.5V @ 3A	A	4.00	2.25	2.62	3.56	-	0.187	2.25
266G36	18	36V @ 0.5A	18V @ 1A	A	3.25	2.06	2.00	2.81	-	0.187	1.07
266J36	36	36V @ 1A	18V @ 2A	A	3.69	1.97	2.31	3.13	-	0.187	1.78
266J48	48	48V @ 1A	24V @ 2A	V	3.56	2.20	3.12	3.13	-	0.187	2.50
266L48	96	48V @ 2A	24V @ 4A	B	2.81	3.06	3.38	2.25	2.50	.203 x .375	4.50
266M48	144	48V @ 3A	24V @ 6A	B	3.13	3.06	3.84	2.50	2.50	.203 x .375	6.00
266N48	192	48V @ 4A	24V @ 8A	B	3.44	3.62	4.22	2.75	3.00	.203 x .375	8.00



EUROPE
Basingstoke, UK 01256 812812

AUSTRALIA
Queenstown, Australia 61-8-8240-2244

www.hammondmfg.com



CANADA
Guelph, Ontario (519) 822-2960
St. Laurent, Quebec (514) 343-9010

USA
Cheektowaga, NY (716) 630-7030

