

For Pendant Mount

Features:

Functions as both conduit outlet box and luminaire hanger; hubs are provided for threading the conduit directly into the hanger body; for use with incandescent, H.I.D., and fluorescent luminaires

- Supporting nipple, ball or cushion type, is a universal joint permitting luminaire to swing through an angle of 20 degrees in any direction from the perpendicular
- Cover has one screw hole and one open slot – easily swung aside for wiring without removal and possible loss of cover
- Luminaire, conduit stem, and nipple can be assembled and wired at the work bench; the assembly is then placed in the hanger body and luminaire wires spliced to the circuit wires
- Provided with a separate grounding wire for ground connections

Standard Materials:

- Body – Feraloy®
- Nipple – malleable iron
- Cover – sheet steel

Standard Finishes:

- Feraloy and malleable iron – zinc electroplate and aluminum acrylic paint
- Sheet steel – electrogalvanized with chromate finish

Size Ranges:

- Conduit hubs – 3/4" to 1"
- Luminaire stem – 1/2" and 3/4"
- Luminaire weight – cushion type, 3 to 48 lbs.; ball type, 125 lbs.

Options:

The following special options are available from the factory by adding the suffix to the Cat. No.:

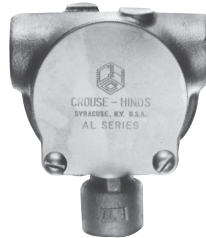
Description	Suffix
Suspension attachment for span wire or threaded rod (see listings)	S1

Suspension Attachment For horizontal cable or vertical support rod



AL hangers can be furnished with a loop fastened to the top of the body to provide a means for suspending luminaires from vertical support rods or horizontal span wires. The loop will take a wire or cable with a maximum diameter of 3/8". The boss on top of the loop is tapped 3/8"-16 to accept a threaded rod.

ALC



Ball



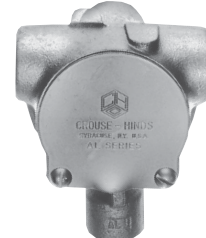
Cushion

Ball Luminaire Stem Size	Conduit Size	Cat. #
1/2	3/4	ALC21
3/4	3/4	ALC22
3/4	1	ALC32

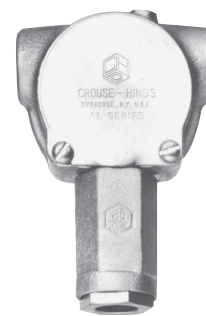
Cushion

Luminaire Stem Size	Conduit Size	Luminaire Weight (Lbs.)	Cat. #
1/2	3/4	3 to 6	ALC214
3/4	3/4		ALC224
3/4	1		ALC324
1/2	3/4	6 to 12	ALC218
3/4	3/4		ALC228
3/4	1		ALC328
1/2	3/4	12 to 24	ALC2116
3/4	3/4		ALC2216
3/4	1		ALC3216
1/2	3/4	24 to 48	ALC2132
3/4	3/4		ALC2232
3/4	1		ALC3232

ALT



Ball



Cushion

Ball Luminaire Stem Size	Conduit Size	Cat. #
1/2	3/4	ALT21
3/4	3/4	ALT22
3/4	1	ALT32

Cushion

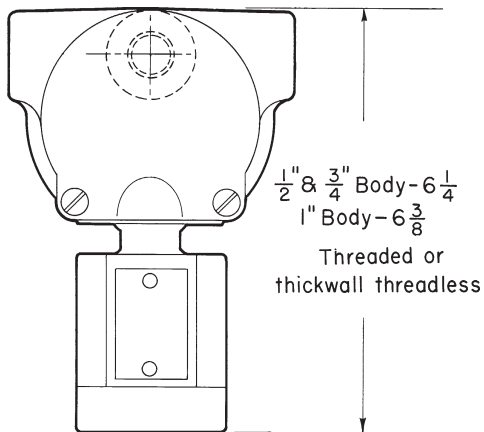
Luminaire Stem Size	Conduit Size	Luminaire Weight (Lbs.)	Cat. #
1/2	3/4	3 to 6	ALT214
3/4	3/4		ALT224
3/4	1		ALT324
1/2	3/4	6 to 12	ALT218
3/4	3/4		ALT228
3/4	1		ALT328
1/2	3/4	12 to 24	ALT2116
3/4	3/4		ALT2216
3/4	1		ALT3216
1/2	3/4	24 to 48	ALT2132
3/4	3/4		ALT2232
3/4	1		ALT3232

7L Flexible Luminaire Hangers

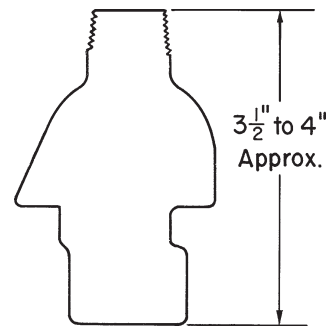
For Pendant Mount Dimensions

Dimensions

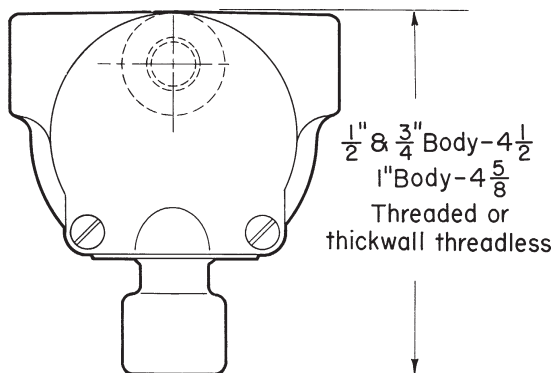
In Inches:



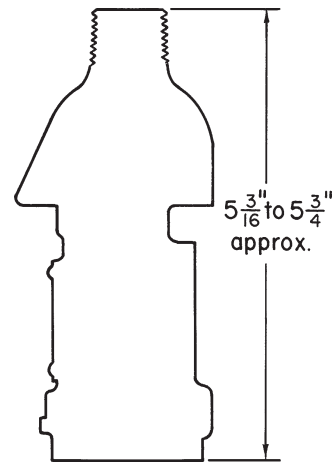
AL Series - Cushion



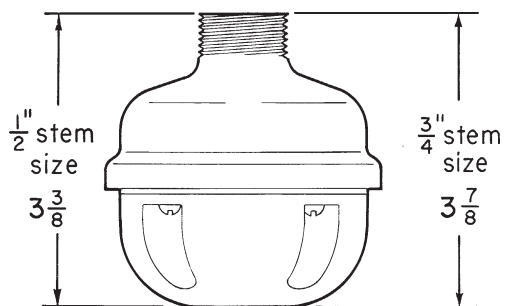
UNJ



AL Series - Ball



UNJC



AHG

7L