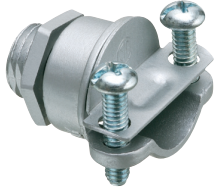


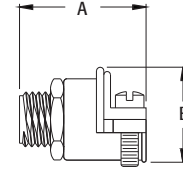
Twin Screw All-Purpose Connectors



For Flex • AC • MCI • NM cable. Zinc die-cast.

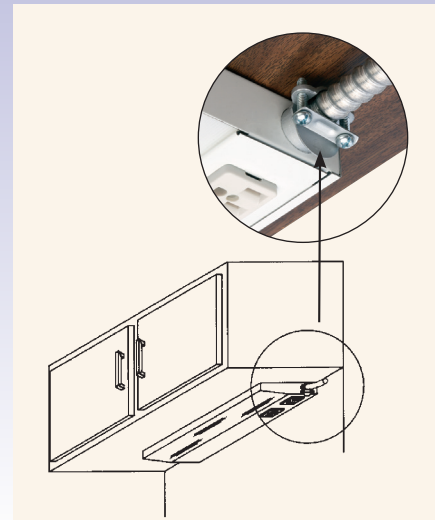
CATALOG NUMBER	UPC/DCI/NAED MFG #018997	TRADE SIZE	KO SIZE	UNIT PKG	STD PKG	DIM A	DIM B	CABLE RANGE	END STOP DIAMETER
4200	04200	3/8	1/4	25	25	1.040	.920	.225 - .610	.380

See chart on page E-28 for list of cable types.
Concrete tight when taped.



THE 4200...

- Allows you to securely hold cables in low profile height fixtures with 1/4" knockouts.
- Fits both standard round 1/4" KO (17/32" diameter) and 5/8" diameter KO with flats.
- Is furnished with 1/4-18 n.p.s. fixture nut for easy tightening.
- Is recommended for use with non-metallic sheathed cable, AC, flexible metal conduit, MC cable both steel and aluminum jacketed.
- Is primarily for use with low silhouette under-cabinet fluorescent fixtures.
- Normally only one fitting is supplied with lighting fixtures. Additional connectors are needed when multiple fixtures are wired in-line.



Twin Screw All-Purpose Connectors



For Flex • AC • MCI • NM cable. Zinc die-cast.

CATALOG NUMBER	UPC/DCI/NAED MFG #018997	TRADE SIZE	KO SIZE	UNIT PKG	STD PKG	DIM A	DIM B	DIM C	CABLE RANGE	END STOP DIAMETER
4201	04201	1/2	1/2	25	250	1.535	1.139	.610	.630-810	.615
4202	04202	3/4	3/4	20	200	1.528	1.276	.814	.830-1.090	.820
4203	04203	1	1	10	50	1.726	1.605	.985	1.00-1.365	.985
4204	04204	1-1/4	1-1/4	5	25	1.783	1.885	1.375	1.385-1.640	1.365

See chart on page E-28 for list of cable types.
Concrete tight when taped.
Add suffix "A" to catalog number for insulated throat.

