

Liquidtight Flexible Metal Conduit Connectors with Wire Mesh Strain Relief

For Liquidtight Flexible Metal Conduit. STB, STN, and Female ST Types.

NEC/CEC — Suitable for use in:
Class I, Division 2

Applications

- For use with liquidtight flexible metal conduit subjected to flexure, vibration, motion, or strain. “STB” Type connects to threaded hubs. “STN” Type is for connections to sheet metal enclosures. Female ST Type connects to threaded rigid conduit and IMC.

Features

- Unique long ferrule with more pronounced threads provides over four times UL pull-out requirements.
- Ferrule also provides maximum surface contact for better sealing and a continuous, permanent, positive metal-to-metal ground.
- Stainless steel wire mesh prevents pull-out of flexible conduit from fitting and alleviates flexing stress at liquidtight connection.
- Insulated throat (STB and STN Series) protects against wire damage.
- STN Type has space-saving hex hub wedge adapter that fits nearly flush against inside walls of enclosures, providing maximum wiring room.
- Liquidtight/raintight/oiltight/concretetight.
- Suitable for wet locations.
- STB Series has full, machined tapered threads (NPT).

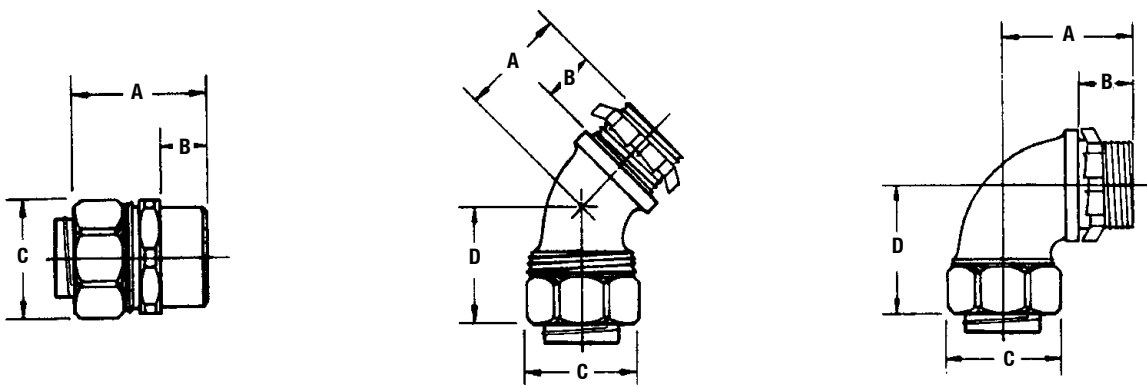
Standard Material/Finish

- Straight STB, STN, and Female ST connectors: 3/8" thru 1" are steel, 1-1/4" and over are malleable iron
- 45° and 90° connectors: all sizes are malleable iron
- Ferrule: 3/8" thru 1" are steel; 1-1/4" and over are aluminum
- Wire mesh: stainless steel
- Steel: zinc electroplate
- Malleable iron: zinc electroplate, chromate and epoxy powder coat/zinc electroplate

NEC/CEC Certifications and Compliances

- UL Standard: 514B
- UL Listed: E-14814
- CSA Standard: C22.2 No. 18.3
- CSA Certified: 065178
- NEMA: FB-1

Illustrated Dimensions



STB-38SR

STD Conduit Thread Size

Flexible Conduit Size (Inches)	NPT Size
3/8	1/2
1/2	1/2
3/4	3/4
1	1
1-1/4	1-1/4
1-1/2	1-1/2
2	2
2-1/2	2-1/2
3	3





Liquidtight Flexible Metal Conduit Connectors with Wire Mesh Strain Relief

For Liquidtight Flexible Metal Conduit. STB, STN, and Female ST Types.

NEC/CEC — Suitable for use in:
Class I, Division 2

COMMERCIAL AND INDUSTRIAL FITTINGS: LIQUIDTIGHT CONDUIT FITTINGS

Appleton®

	Dimensions in Millimeters (Inches)				Outside Diameter		Weight per 100 kg (lb)	Catalog Number	
	A	B	C	D	Min.	Max			
STB Straight — Insulated									
	3/8 flex, 1/2 hub	36.6 (1.44)	16.0 (0.63)	28.7 (1.13)	—	17.5 (0.69)	18.0 (0.71)	9.25 (20.40)	STB-38SR
	1/2	36.6 (1.44)	16.0 (0.63)	31.8 (1.25)	—	20.8 (0.82)	21.3 (0.84)	12.11 (26.70)	STB-50SR
	3/4	38.1 (1.50)	16.0 (0.63)	38.1 (1.50)	—	26.2 (1.03)	26.7 (1.05)	17.74 (39.10)	STB-75SR
	1	41.4 (1.63)	19.1 (0.75)	45.9 (1.81)	—	32.8 (1.29)	33.5 (1.32)	23.90 (52.70)	STB-100SR
	1-1/4	50.8 (2.00)	16.0 (0.63)	58.7 (2.31)	—	41.4 (1.63)	42.2 (1.66)	47.81 (105.40)	STB-125SR
	1-1/2	57.2 (2.25)	16.0 (0.63)	66.8 (2.63)	—	47.5 (1.87)	48.3 (1.90)	66.09 (145.70)	STB-150SR
	2	63.5 (2.50)	17.5 (0.69)	81.0 (3.19)	—	59.4 (2.34)	60.5 (2.38)	91.67 (202.10)	STB-200SR
	2-1/2	85.9 (3.38)	26.9 (1.06)	100.1 (3.94)	—	72.1 (2.84)	73.2 (2.88)	180.89 (398.80)	STB-250SR
	3	93.7 (3.69)	30.2 (1.19)	111.3 (4.38)	—	87.9 (3.46)	88.9 (3.50)	242.90 (535.50)	STB-300SR
STB 45° — Insulated									
	3/8 flex, 1/2 hub	28.7 (1.13)	16.0 (0.63)	28.7 (1.13)	22.4 (0.88)	17.5 (0.69)	18.0 (0.71)	10.61 (23.40)	STB-4538SR
	1/2	31.8 (1.25)	16.0 (0.63)	28.7 (1.13)	22.4 (0.88)	20.8 (0.82)	21.3 (0.84)	13.01 (28.70)	STB-4550SR
	3/4	38.1 (1.50)	16.0 (0.63)	31.8 (1.25)	28.7 (1.13)	26.2 (1.03)	26.7 (1.05)	20.91 (46.10)	STB-4575SR
	1	45.9 (1.81)	19.1 (0.75)	45.9 (1.81)	35.1 (1.38)	32.8 (1.29)	33.5 (1.32)	30.71 (67.70)	STB-45100SR
	1-1/4	58.7 (2.31)	16.0 (0.63)	45.9 (1.81)	41.4 (1.63)	41.4 (1.63)	42.2 (1.66)	55.97 (123.40)	STB-45125SR
	1-1/2	66.8 (2.63)	16.0 (0.63)	54.1 (2.13)	45.9 (1.81)	47.5 (1.87)	48.3 (1.90)	85.09 (187.60)	STB-45150SR
	2	81.0 (3.19)	17.5 (0.69)	60.5 (2.38)	50.8 (2.00)	59.4 (2.34)	60.5 (2.38)	118.89 (262.10)	STB-45200SR
	2-1/2	100.1 (3.94)	26.9 (1.06)	127.0 (5.00)	90.4 (3.56)	72.1 (2.84)	73.2 (2.88)	371.40 (818.80)	STB-45250SR
	3	111.3 (4.38)	30.2 (1.19)	147.6 (5.81)	109.5 (4.31)	87.9 (3.46)	88.9 (3.50)	492.37 (1085.50)	STB-45300SR
STB 90° — Insulated									
	3/8 flex, 1/2 hub	28.7 (1.13)	16.0 (0.63)	38.1 (1.50)	31.8 (1.25)	17.5 (0.69)	18.0 (0.71)	12.88 (28.40)	STB-9038SR
	1/2	31.8 (1.25)	16.0 (0.63)	38.1 (1.50)	31.8 (1.25)	20.8 (0.82)	21.3 (0.84)	15.74 (34.70)	STB-9050SR
	3/4	38.1 (1.50)	16.0 (0.63)	39.6 (1.56)	36.6 (1.44)	26.2 (1.03)	26.7 (1.05)	24.54 (54.10)	STB-9075SR
	1	45.9 (1.81)	19.1 (0.75)	47.8 (1.88)	35.1 (1.38)	32.8 (1.29)	33.5 (1.32)	34.79 (76.70)	STB-90100SR
	1-1/4	58.7 (2.31)	16.0 (0.63)	60.5 (2.38)	45.9 (1.81)	41.4 (1.63)	42.2 (1.66)	62.32 (137.40)	STB-90125SR
	1-1/2	66.8 (2.63)	16.0 (0.63)	81.0 (3.19)	61.9 (2.44)	47.5 (1.87)	48.3 (1.90)	99.20 (218.70)	STB-90150SR
	2	81.0 (3.19)	17.5 (0.69)	90.4 (3.56)	66.8 (2.63)	59.4 (2.34)	60.5 (2.38)	142.47 (314.10)	STB-90200SR
	2-1/2	100.1 (3.94)	26.9 (1.06)	144.8 (5.70)	182.6 (7.19)	72.1 (2.84)	73.2 (2.88)	407.69 (898.80)	STB-90250SR
	3	111.3 (4.38)	30.2 (1.19)	257.3 (10.13)	219.2 (8.63)	87.9 (3.46)	88.9 (3.50)	537.73 (1185.50)	STB-90300SR
ST Straight Female with Threaded Hubs									
	3/8 flex, 1/2 hub	36.6 (1.44)	16.0 (0.63)	28.7 (1.13)	—	17.5 (0.69)	18.0 (0.71)	8.35 (18.40)	ST-38FSR
	1/2	36.6 (1.44)	16.0 (0.63)	31.8 (1.25)	—	20.8 (0.82)	21.3 (0.84)	11.20 (24.70)	ST-50FSR
	3/4	38.1 (1.50)	16.0 (0.63)	38.1 (1.50)	—	26.2 (1.03)	26.7 (1.05)	16.83 (37.10)	ST-75FSR
	1	41.4 (1.63)	19.1 (0.75)	45.9 (1.81)	—	32.8 (1.29)	33.5 (1.32)	22.54 (49.70)	ST-100FSR
	1-1/4	50.8 (2.00)	16.0 (0.63)	58.7 (2.31)	—	41.4 (1.63)	42.2 (1.66)	54.61 (120.40)	ST-125FSR
	1-1/2	57.2 (2.25)	16.0 (0.63)	66.8 (2.63)	—	47.5 (1.87)	48.3 (1.90)	77.29 (170.40)	ST-150FSR
	2	63.5 (2.50)	17.5 (0.69)	81.0 (3.19)	—	59.4 (2.34)	60.5 (2.38)	116.62 (257.10)	ST-200FSR
	2-1/2	85.9 (3.38)	26.9 (1.06)	100.1 (3.94)	—	72.1 (2.84)	73.2 (2.88)	209.51 (461.90)	ST-250FSR
	3	93.7 (3.69)	30.2 (1.19)	111.3 (4.38)	—	87.9 (3.46)	88.9 (3.50)	232.74 (513.10)	ST-300FSR